

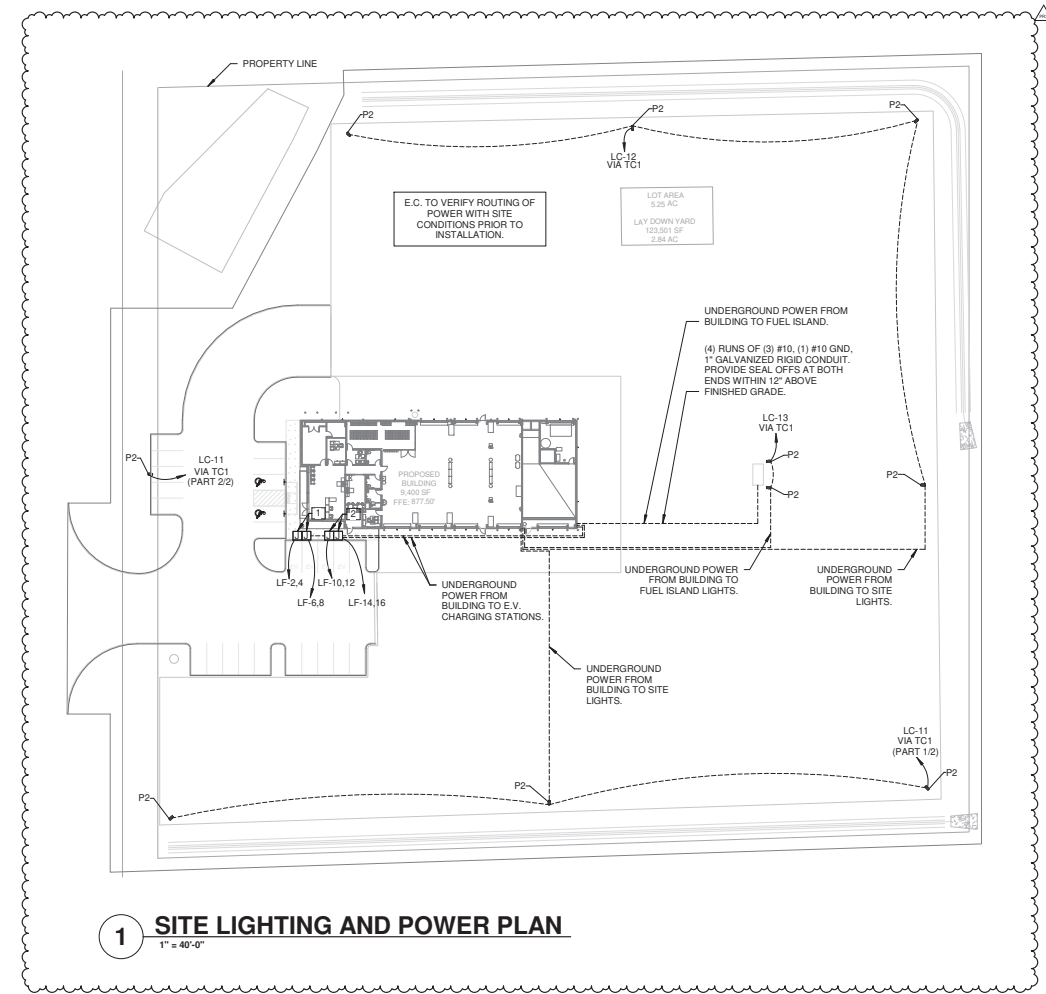
2 SITE LIGHTING PHOTOMETRIC PLAN
1" = 40'-0"

PHOTOMETRIC STATISTICS	
AVG.	0.3 fc
MAX	13.1 fc
MIN	0.0 fc
AVG/MIN	N/A
MAX/MIN	N/A

NOTE - SITE LIGHTING PHOTOMETRICS CALCULATED WITH POLE MOUNTED LIGHT FIXTURES MOUNTED AT 28'-0" ABOVE FINISHED GRADE. LIGHT POLES TO BE 25'-0" AND MOUNTED ON 3'-0" CONCRETE BASE TO PROTECT FROM DAMAGE.

- POLE MODEL NUMBER:
- RTAP25-8.0-3-BRZ-DM2090-BC
- WALL PACK (WP):
- MAKE: COOPER LIGHTING SOLUTIONS
 - MODEL: XTOR3B-W
 - REFERENCE 1/E1.0 FOR MOUNTING HEIGHT.
- SITE LIGHT (P2)
- MAKE: COOPER LIGHTING SOLUTIONS
 - MODEL: PRV-PA1A-740-U-T2R-HSS

ELECTRICAL KEYNOTES	
#	DESCRIPTION
1	PROVIDE POWER TO EV CHARGING STATION 1. GC TO FURNISH AND INSTALL CHARGEPOINT DUAL CHARGING STATION. MODEL NUMBER: CT4021 GW1. REF ARCHITECT AND CIVIL DRAWINGS FOR EXACT LOCATION.
2	PROVIDE POWER TO EV CHARGING STATION 2. GC TO FURNISH AND INSTALL CHARGEPOINT DUAL CHARGING STATION. MODEL NUMBER: CT4021 GW1. REF ARCHITECT AND CIVIL DRAWINGS FOR EXACT LOCATION.



1 SITE LIGHTING AND POWER PLAN
1" = 40'-0"

**REVISED PLANS
RECEIVED 12/20/2023**

pb2
architecture
+engineering

2807 Ajax Avenue Suite 100
Rogers, Wisconsin 53258
Phone: 479.634.2545
Fax: 479.634.1209

Engineer of Record
Keith Allen Williams, P.E.
Wisconsin License No. 43134-E
Certificate of Authorization
No. 2911-11

STIPULATION FOR REUSE
THIS DOCUMENT IS THE PROPERTY OF pb2 architecture + engineering. IT IS TO BE USED ONLY FOR THE PROJECT AND SITE SPECIFICALLY IDENTIFIED HEREIN. ANY REUSE OF THIS DOCUMENT FOR ANY OTHER PROJECT WITHOUT THE WRITTEN PERMISSION OF pb2 architecture + engineering IS STRICTLY PROHIBITED. ANY REUSE OF THIS DOCUMENT WITHOUT THE WRITTEN PERMISSION OF pb2 architecture + engineering SHALL BE CONSIDERED A VIOLATION OF THE PROFESSIONAL ENGINEERING ETHICS AND MAY BE SUBJECT TO LEGAL ACTION.

EQUIPMENT SHARE GROUND-UP
NORTH STAR ROAD
COTTAGE GROVE, WI 53527

JOB NUMBER: 20230450

ISSUE BLOCK

DESCRIPTION	DATE
OTR	09.22.2023
PR1 PLAN REV. 1	11.02.2023
PR2 PLAN REV. 2	11.16.2023
PR3 PLAN REV. 3	12.15.2023

CHECKED BY: TJ
DRAWN BY: DR
DOCUMENT DATE: 09.22.2023

KEITH A. WILLIAMS
E-43134
ROGERS AR
PROFESSIONAL ENGINEER
12/15/2023

DOCUMENTS THAT DO NOT HAVE THE ARCHITECT OR ENGINEER OF RECORD SEAL AND SIGNATURE SHALL BE CONSIDERED NOT FOR CONSTRUCTION.

ELECTRICAL
SITE PLAN

SHEET:
E1.2

Project		Catalog #		Type	
Prepared by		Notes		Date	



Lumark

Prevail Discrete LED

Area / Site Luminaire

Product Features



Product Certifications



Interactive Menu

- Ordering Information [page 2](#)
- Mounting Details [page 3, 4](#)
- Optical Configurations [page 5](#)
- Product Specifications [page 5](#)
- Energy and Performance Data [page 6, 7](#)
- Control Options [page 8](#)

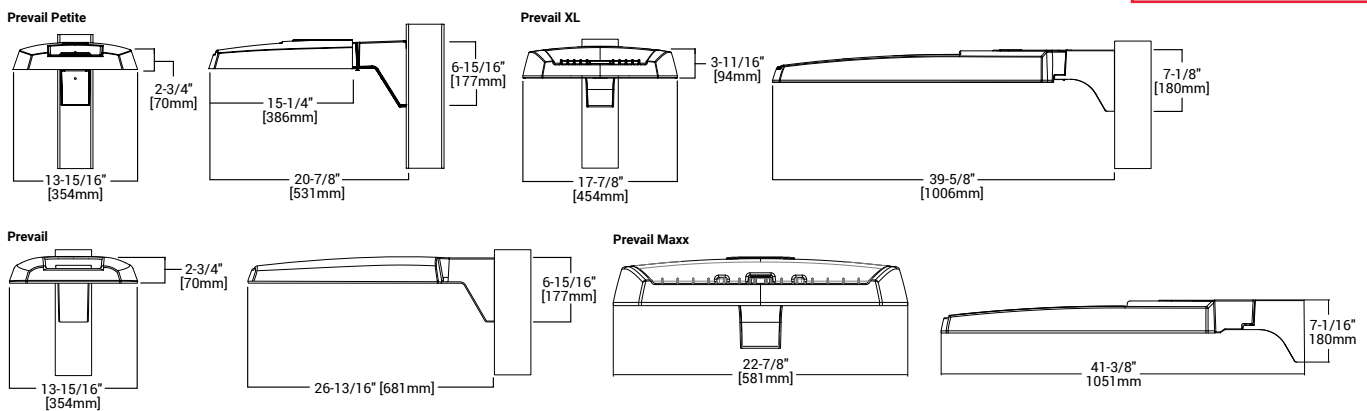
Quick Facts

- Direct-mounted discrete light engine for improved optical uniformity and visual comfort
- Lumen packages range from 4,300 - 68,000 nominal lumens (30W - 550W)
- Replaces 70W up to 1,000W HID equivalents
- Efficacies up to 157 lumens per watt
- Standard universal quick mount arm with universal drill pattern

Connected Systems

- WaveLinx

Dimensional Details



NOTES:
 1. Visit <https://www.designlights.org/search/> to confirm qualification. Not all product variations are DLC qualified.
 2. IDA Certified for 3000K CCT and warmer only.


**REVISED PLANS
 RECEIVED
 12/20/2023**

Ordering Information

SAMPLE NUMBER: PRV-XL-PA4B-740-U-T4W-BZ

Product Family ^{1,2}	Light Engine		Color Temperature	Voltage	Distribution	Mounting (Included)	Finish			
	Configuration	Drive Current ⁴								
PRV-P =Prevail Petite BAA-PRV-P =Prevail Petite BAA Buy American Act Compliant ³ TAA-PRV-P =Prevail Petite TAA Trade Agreements Act Compliant ³	PA1 =1 Panel, 24 LED Rectangle	A =400mA Nominal B =700mA Nominal C =950mA Nominal D =1200mA Nominal	740 =70CRI, 4000K 730 =70CRI, 3000K 750 =70CRI, 5000K 8540 =85CRI, 4000K	U =Universal, 120-277V H =High Voltage, 347-480V 1=120V 2=208V 3=240V 4=277V 8=480V ⁵ 9=347V DV =DuraVolt, 277-480V ^{5,6}	T2R =Type II Roadway T2U =Type II Urban T3 =Type III T4W =Type IV Wide 5WQ =Type V Square Wide	SA =QM Standard Versatile Arm MA =QM Mast Arm FMA =Fixed Mast Arm ²⁸ WM =QM Wall Mount Arm ADJA-WM = Adjustable Arm - Wall Mount ³⁰ ADJA =Adjustable Arm - Pole Mount ³⁰ ADJS =Adjustable Arm - Slipfitter, 3" vertical tenon ³⁰ SP2 =Adjustable Arm - Slipfitter, 2 3/8" vertical tenon ^{28, 30}	AP =Grey BZ =Bronze BK =Black DP =Dark Platinum GM =Graphite Metallic WH =White			
PRV =Prevail BAA-PRV =Prevail BAA Buy American Act Compliant ³ TAA-PRV =Prevail TAA Trade Agreements Act Compliant ³	PA1 =1 Panel, 24 LED Rectangle PA2 =2 Panels, 48 LED Rectangles	A =700mA Nominal B =950mA Nominal								
PRV-XL =PRV XL BAA-PRV-XL =Prevail XL BAA Buy American Act Compliant ³ TAA-PRV-XL =Prevail XL TAA Trade Agreements Act Compliant ³	PA3 =3 Panels, 72 LED Rectangles PA4 =4 Panels, 96 LED Rectangles	A =750mA Nominal B =950mA Nominal								
PRV-M =Prevail Maxx BAA-PRV-M =Prevail Maxx BAA Buy American Act Compliant ³ TAA-PRV-M =Prevail Maxx TAA Trade Agreements Act Compliant ³	PA6 = 6 Panels, 144 LED Rectangles	A =600mA Nominal B =800mA Nominal C =1000mA Nominal D =1200mA Nominal								
Options (Add as Suffix)			Accessories (Order Separately) ^{20, 21}							
10K =10kV UL 1449 Fused Surge Protective Device 20MSP =20kV MOV Surge Protective Device 20K =20kV UL 1449 Fused Surge Protective Device F =Single Fuse (Used with Voltages 120, 277 or 347V) FF =Double Fuse (Used with Voltages 208, 240 or 480V) L90 =Optics Rotated 90° Left R90 =Optics Rotated 90° Right CC =Coastal Construction finish ³¹ HSS =House Side Shield (Factory Installed) ⁷ HA =50°C High Ambient Temperature ⁸ PR =NEMA 3-PIN Twistlock Photocontrol Receptacle ¹⁰ PR7 =NEMA 7-PIN Twistlock Photocontrol Receptacle ¹⁰ MS/DIM-L08 =Motion Sensor for Dimming Operation, Up to 8' Mounting Height ^{11, 12, 13, 22} MS/DIM-L20 =Motion Sensor for Dimming Operation, 9' - 20' Mounting Height ^{11, 12, 13, 28, 29} MS/DIM-L40 =Motion Sensor for Dimming Operation, 21' - 40' Mounting Height ^{11, 12, 13} SPB1 =Motion Sensor for Dimming Operation, BLE Interface, Up to 8' Mounting Height ^{11, 14, 22} SPB2 =Motion Sensor for Dimming Operation, BLE Interface, 8' - 20' Mounting Height ^{11, 14, 28, 29} SPB4 =Motion Sensor for Dimming Operation, BLE Interface, 21' - 40' Mounting Height ^{11, 14, 29}			ZW =Wavelinx-enabled 4-PIN Twistlock Receptacle ^{11, 12} ZD =DALI-enabled 4-PIN Twistlock Receptacle ^{11, 12} ZW-SWPD4XX =Wavelinx Pro, Dimming Motion and Daylight, WAC Programmable, 7' - 15' Mounting Height ^{11, 12, 15, 16, 17, 22} ZW-SWPD5XX =Wavelinx Pro, Dimming Motion and Daylight, WAC Programmable, 15' - 40' Mounting Height ^{11, 12, 15, 16, 17, 28, 29} ZD-SWPD4XX =Wavelinx Pro, SR Driver, Dimming Motion and Daylight, 7' - 15' Mounting Height ^{11, 12, 15, 16, 17, 22} ZD-SWPD5XX =Wavelinx Pro, SR Driver, Dimming Motion and Daylight, 15' - 40' Mounting Height ^{11, 12, 15, 16, 17, 28, 29} (See Table Below) =LumenSafe Integrated Network Security Camera ^{18, 19}			PRVSA-XX =Standard Arm Mounting Kit ²² PRVMA-XX =Mast Arm Mounting Kit ²² PRVWM-XX =Wall Mount Kit ²² PRV-ADJA-XX =Adjustable Arm - Pole Mount Kit ²² PRV-ADJS-XX =Adjustable Arm - Slipfitter Kit ²² PRV-ADJA-WM-XX =Adjustable Arm - Wall Mount Kit ²² PRVXLSA-XX =Standard Arm Mounting Kit ²⁹ PRVXLMMA-XX =Mast Arm Mounting Kit ²⁹ PRVXLWM-XX =Wall Mount Kit ²⁹ PRV-XL-ADJA-XX =Adjustable Arm - Pole Mount Kit ²⁹ PRV-XL-ADJA-WM-XX = Adjustable Arm - Wall Mount Kit ²⁹ PRV-XL-ADJS-XX = Adjustable Arm - Slipfitter Kit ²⁹ PRV-M-ADJA-XX =Adjustable Arm - Pole Mount Kit ²⁸ PRV-M-ADJS-XX =Adjustable Arm - Slipfitter Kit ²⁸ PRV-M-ADJA-WM-XX =Adjustable Arm - Wall Mount Kit ²⁸ MA1010-XX =Single Tenon Adapter for 3-1/2" O.D. Tenon MA1011-XX =2@180° Tenon Adapter for 3-1/2" O.D. Tenon			MA1017-XX =Single Tenon Adapter for 2-3/8" O.D. Tenon MA1018-XX =2@180° Tenon Adapter for 2-3/8" O.D. Tenon SR238 =Tenon Adapter from 3" to 2-3/8" PRV/DIS-FDV =Full Drop Visor ²³ PRV/DIS-FDV =Full Drop Visor ¹⁸ HSS-VP =House Side Shield Kit, Vertical Panel ^{7, 24} HSS-HP =House Side Shield Kit, Horizontal Panel ^{7, 24} VGS-ARCH = Panel Drop Shield, Short VGL-ARCH = Panel Drop Shield, Long OA/RA1013 =Photocontrol Shorting Cap OA/RA1014 =NEMA Photocontrol - 120V OA/RA1016 =NEMA Photocontrol - Multi-Tap 105-285V OA/RA1201 =NEMA Photocontrol - 347V OA/RA1027 =NEMA Photocontrol - 480V FSIR-100 =Wireless Configuration Tool for Occupancy Sensor ²⁵ WOLC-7P-10A =WaveLinX Outdoor Control Module (7-PIN) ²⁷ SWPD4-XX =WaveLinX Wireless Sensor, 7' - 15' Mounting Height ^{15, 16, 17, 22, 28} SWPD5-XX =WaveLinX Wireless Sensor, 15' - 40' Mounting Height ^{15, 16, 17, 26, 28, 29}	
NOTES: 1. DesignLights Consortium® Qualified. Refer to www.designlights.org Qualified Products List under Family Models for details. 2. Customer is responsible for engineering analysis to confirm pole and fixture compatibility for applications. Refer to installation instructions and pole white paper WP513001EN for additional support information. 3. Only product configurations with these designated prefixes are built to be compliant with the Buy American Act of 1933 (BAA) or Trade Agreements Act of 1979 (TAA), respectively. Please refer to DOMESTIC.PREFERENCES website for more information. Components shipped separately may be separately analyzed under domestic preference requirements. 4. Nominal drive currents shown here. For actual drive current by configuration, refer to Power and Lumens tables. 5. 480V not to be used with ungrounded or impedance grounded systems. 6. DuraVolt drivers feature added protection from power quality issues such as loss of neutral, transients and voltage fluctuations. Visit www.signify.com/duravolt for more information. 7. House Side Shield not for use with 5WQ distribution. 8. Not available with PA1D light engine in Petite housing (PRV-P). 9. Coastal construction finish salt spray tested to over 5,000-hours per ASTM B117, with a scribe rating of 9 per ASTM D1654. 10. If High Voltage (H) or DuraVolt (DV) is specified, use a photocontrol that matches the input voltage used. 11. Controls system is not available in combination with a photocontrol receptacle (PR or PR7) or another controls system (MS, SPB, ZD, or ZW). 12. Option not available with High Voltage (H) or DuraVolt (DV). Must specify Universal (U), 347V (9), or 480V (8) voltage. 13. Utilizes the Wattstopper sensor FSP-211. Sensor color white unless specified otherwise via PDR. To field-configure, order FSIR-100 accessory separately. 14. Utilizes the Wattstopper sensor FSP-3XX series. Sensor color determined by product finish. See Sensor Color Reference Table. Field-configures via mobile application. See Controls section for details. 15. Sensor passive infrared (PIR) may be overly sensitive when operating below -20°C (-4°F). 16. In order for the device to be field-configurable, requires WAC Gateway components WAC-PoE and WPOE-120 in appropriate quantities. Only compatible with WaveLinX system and software and requires system components to be installed for operation. See website for more Wavelinx application information. 17. Replace XX with sensor color (WH, BZ or BK). 18. Only available in PRV-XL configurations. 19. Not available with High Voltage (H, DV, 8 or 9) or HA options. Consult LumenSafe system product pages for additional details and compatibility information. 20. Replace XX with paint color. 21. For BAA or TAA requirements, Accessories sold separately will be separately analyzed under domestic preference requirements. Consult factory for further information. 22. Not for use with PRV-XL or PRV-M configurations. 23. Only for use with PRV. Not applicable to PRV-M, PRV-XL, or PRV-P. 24. Must order one per optic/LED when ordering as a field-installable accessory (1, 2, 3, 4, or 6). Refer to House Side Shield reference table for details. 25. This tool enables adjustment to Motion Sensor (MS) parameters including high and low modes, sensitivity, time delay, cutoff and more. Consult your lighting representative for more information. 26. Requires 4-PIN twistlock receptacle option (ZD or ZW) option. 27. Requires 7-PIN NEMA twistlock photocontrol receptacle (PR7) option. The WOLC-7 cannot be used in conjunction with other controls systems (MS, ZD, ZW or LWR). Only for use at 120-347V. 28. Only available for PRV-M configurations. 29. Only for use with PRV-XL. 30. Fixed for PRV-M										

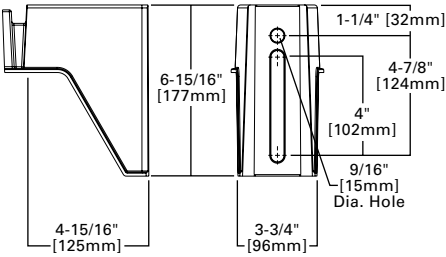
LumenSafe Integrated Network Security Camera Technology Options (Add as Suffix)

Product Family	Camera Type	Data Backhaul
L =LumenSafe Technology 	H =Dome Camera, High Res Z =Dome Camera, Remote PTZ	C =Cellular, Customer Installed SIM Card A =Cellular, Factory Installed AT&T SIM Card V =Cellular, Factory Installed Verizon SIM Card S =Cellular, Factory Installed Sprint SIM Card E =Ethernet Networking

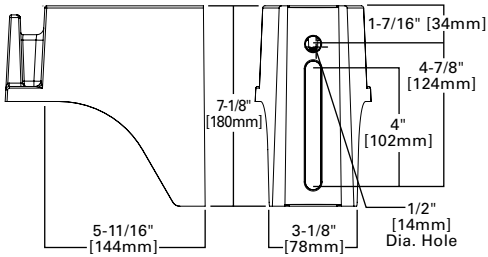
REVISED PLANS
 RECEIVED
 12/20/2023

Mounting Details

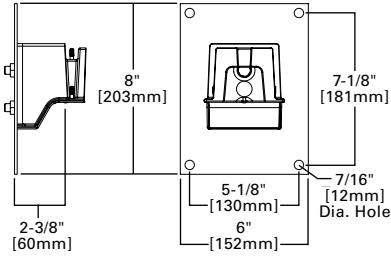
SA=QM Pole Mount Arm (PRV & PRV-P)



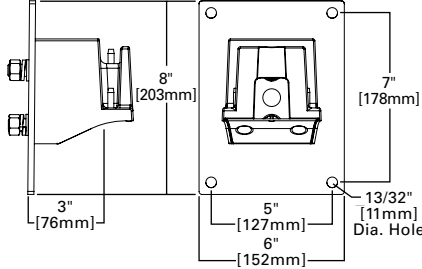
SA=QM Pole Mount Arm (PRV-XL)



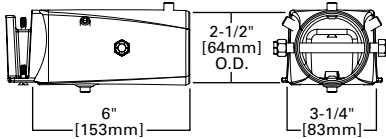
WM=QM Wall Mount Arm (PRV & PRV-P)



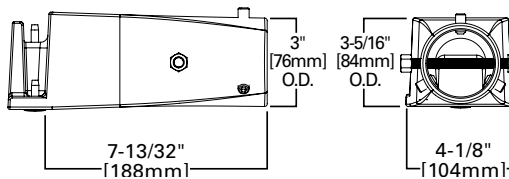
WM=QM Wall Mount Arm (PRV-XL)



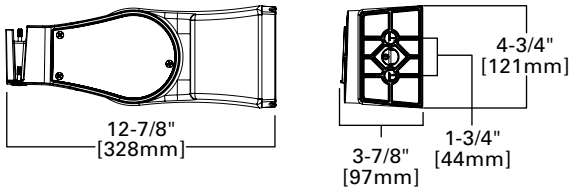
MA=QM Mast Arm (PRV & PRV-P)



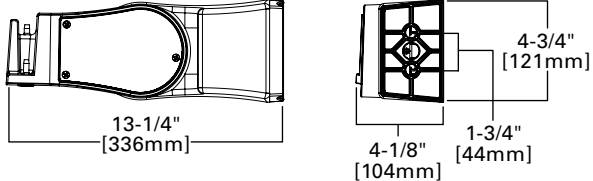
MA=QM Mast Arm (PRV-XL)



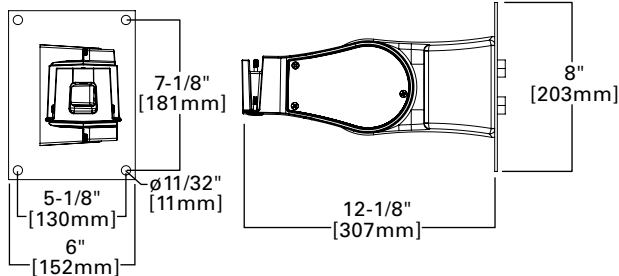
ADJA=Adjustable Arm Pole Mount (PRV & PRV-P)



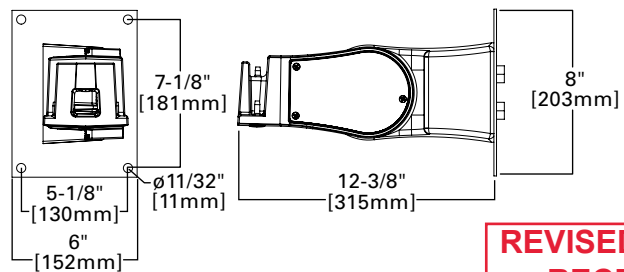
ADJA=Adjustable Arm Pole Mount (PRV-XL)



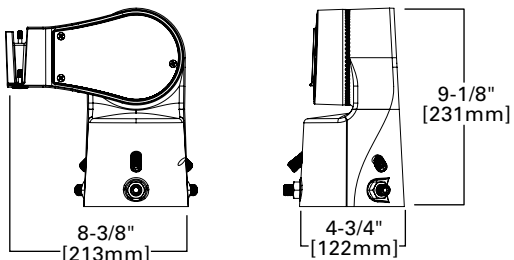
ADJA-WM=Adjustable Arm Wall Mount (PRV & PRV-P)



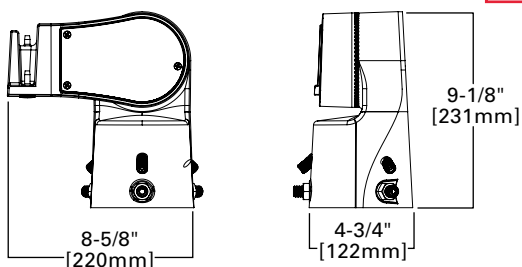
ADJA-WM=Adjustable Arm Wall Mount (PRV-XL)



ADJS=Adjustable Slipfitter 3 (PRV & PRV-P)



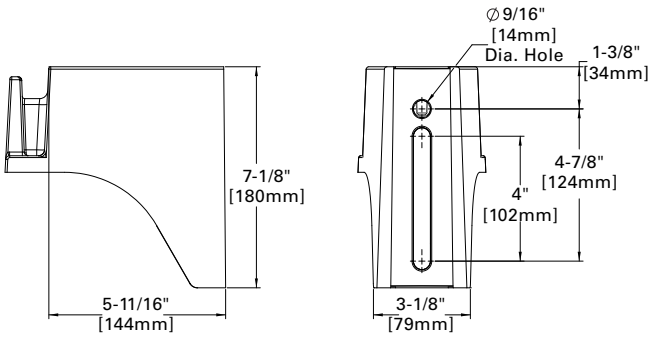
ADJS=Adjustable Slipfitter 3 (PRV-XL)



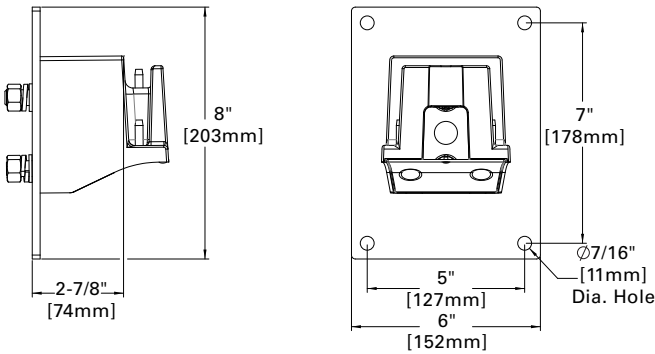
REVISED PLANS
RECEIVED
12/20/2023

Mounting Details

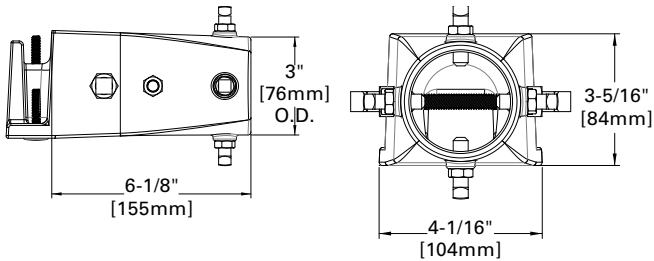
SA=QM Pole Mount Arm (PRV-M)



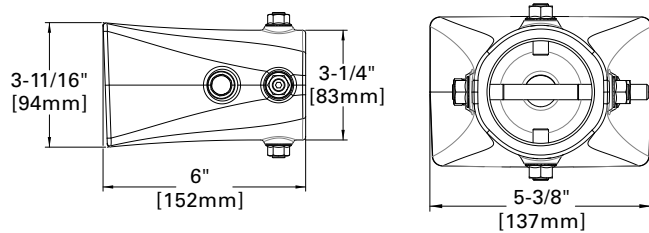
WM=QM Wall Mount Arm (PRV-M)



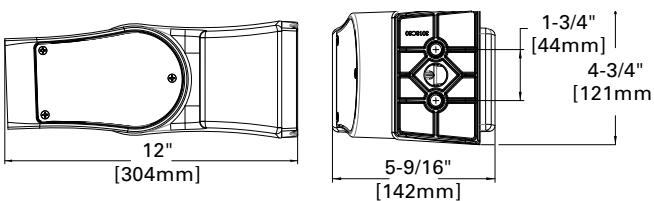
MA=QM Mast Arm (PRV-M)



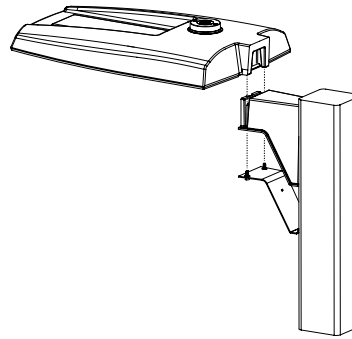
FMA=Fixed Mast Arm (PRV-M)



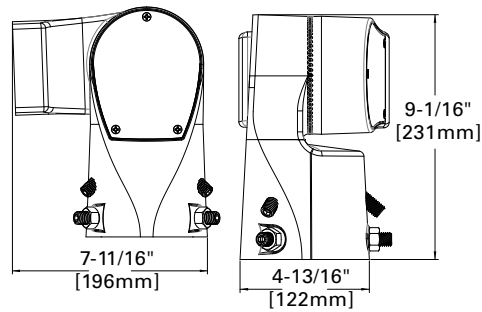
DM=Direct Pole Mount Arm (PRV-M)



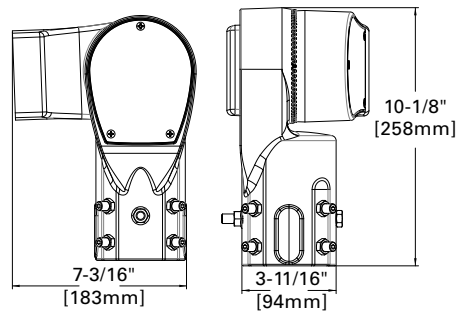
Versatile Mount System



ADJS=Adjustable Slipfitter (PRV-M)



SP2=Adjustable Slipfitter 2-3/8" (PRV-M)



REVISED PLANS
RECEIVED
12/20/2023

Mounting Details

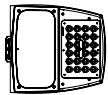
Mounting Configurations and EPAs

NOTE: For 2 PRV's mounted at 90°, requires minimum 3" square or 4" round pole for fixture clearance. For 2 PRV-XL's mounted at 90°, requires minimum 4" square or round pole for fixture clearance. Customer is responsible for engineering analysis to confirm pole and fixture compatibility for applications

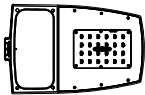
Housing Size	Tilt Angle (Degrees)	Arm Mount Single	Arm Mount 2 @ 180°	Arm Mount 2 @ 90°	Arm Mount 3 @ 90°	Arm Mount 4 @ 90°
Prevail Petite	0°	0.54	1.08	0.84	1.38	1.38
	60°	1.68	1.85	2.42	3.15	3.30
Prevail	0°	0.92	1.35	1.42	1.63	1.63
	60°	2.20	2.40	3.05	3.88	4.07
	60° + Full Drop Visor	2.20	2.40	3.25	4.28	4.47
Prevail XL	0°	1.12	2.25	2.13	2.52	2.52
	60°	3.99	4.30	5.26	6.51	6.79
	60° + Full Drop Visor	3.99	4.30	5.59	7.17	7.49
Prevail Maxx	0°	1.28	2.56	1.7	2.69	2.69
	60°	5.09	5.52	6.34	7.49	7.81

Optical Configurations

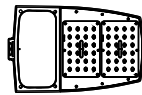
PRV-P-PA1X



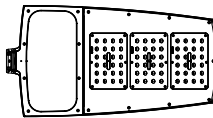
PRV-PA1X



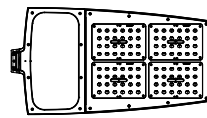
PRV-PA2X



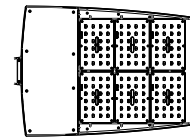
PRV-XL-PA3X



PRV-XL-PA4X



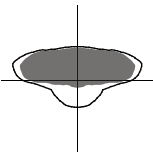
PRV-M-PA6X



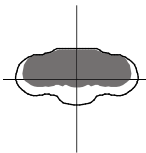
**REVISED PLANS
RECEIVED
12/20/2023**

Optical Distributions

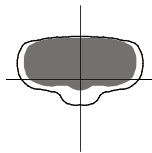
T2R
(Type II Roadway)



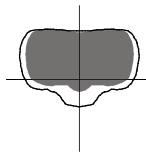
T2U
(Type II Urban)



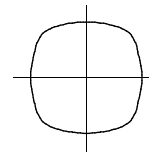
T3
(Type III)



T4W
(Type IV Wide)



5WQ
(Type V Square Wide)



■ = Distribution with House Side Shield (HSS)
□ = Optical Distribution

Product Specifications

Construction

- Single-piece die-cast aluminum housing
- Tethered die-cast aluminum door

Optics

- Dark Sky Approved (3000K CCT and warmer only)
- Precision molded polycarbonate optics

Electrical

- -40°C minimum operating temperature
- 40°C maximum operating temperature
- >.9 power factor
- <20% total harmonic distortion
- Class 1 electronic drivers have expected life of 100,000 hours with <1% failure rate
- 0-10V dimming driver is standard with leads external to the fixture
- Standard MOV surge protective device designed to withstand 10kV of transient line surge

Mounting

- Versatile, patented, standard mount arm accommodates multiple drill patterns ranging from 1-1/2" to 4-7/8" (Type M drilling recommended for new installations)
- A knock-out on the standard mounting arm enables round pole mounting
- Adjustable pole and wall mount arms adjust in 5° increments from 0° to 60°; Downward facing orientation only (Type N drilling required for ADJA mount)
- Adjustable slipfitter arm adjusts in 5° increments from -5° to 85°; Downward facing orientation only
- Prevail and Prevail Petite: 3G vibration rated (all arms)
- Prevail XL Mast Arm: 3G vibration rated
- Prevail XL Standard Arm: 1.5G vibration rated
- Adjustable Arms: 1.5G vibration rated

Finish

- Five-stage super TGIC polyester powder coat paint, 2.5 mil nominal thickness
- Finish is compliant to 3,000 hour salt spray standard (per ASTM B117)

Typical Applications

- Parking lots, Walkways, Roadways and Building Areas

Shipping Data

- Prevail Petite: 18 lbs. (7.94 kgs.)
- Prevail: 20 lbs. (9.09 kgs.)
- Prevail XL: 45 lbs. (20.41 kgs.)
- Prevail Maxx: 49 lbs. (22.23 kgs.)

Warranty

- Five year limited warranty, consult website for details. www.cooperlighting.com/legal

Energy and Performance Data

House Side Shield Reference Table

Product Family		Prevail	Prevail		Prevail XL		Prevail Maxx
Light Engine		PA1	PA1	PA2	PA3	PA4	PA6
Rotated Optics	Standard	HSS-HP (Qty 1)	HSS-VP (Qty 1)	HSS-HP (Qty 2)	HSS-HP (Qty 3)	HSS-VP (Qty 4)	HSS-HP (qty 6)
	L90 or R90 option	HSS-VP (Qty 1)	HSS-HP (Qty 1)	HSS-VP (Qty 2)	HSS-VP (Qty 3)	HSS-HP (Qty 4)	HSS-VP (qty 6)

Sensor Color Reference Table (SPBx)

Housing Finish	Sensor Color
AP=Grey	Grey
BZ=Bronze	Bronze
BK=Black	Black
DP=Dark Platinum	Grey
GM=Graphite Metallic	Black
WH=White	White

Lumen Multiplier

Ambient Temperature	Lumen Multiplier
0°C	1.02
10°C	1.01
25°C	1.00
40°C	0.99
50°C	0.97

Lumen Maintenance

Ambient Temperature	TM-21 Lumen Maintenance (78,000 Hours)	Theoretical L70 (Hours)
Up to 50°C	96.76%	> 896,000

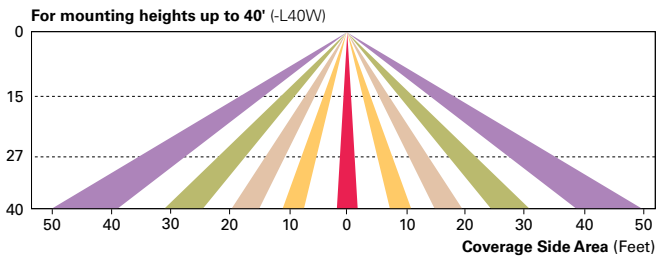
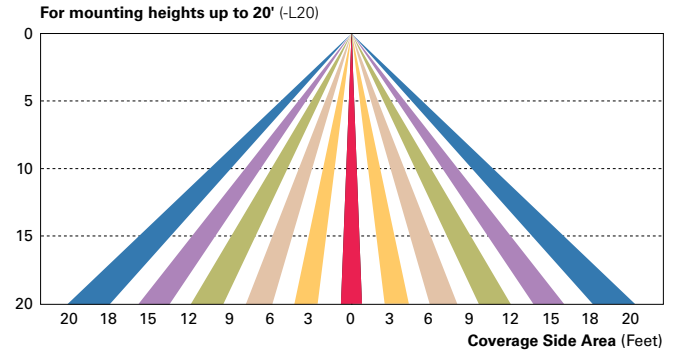
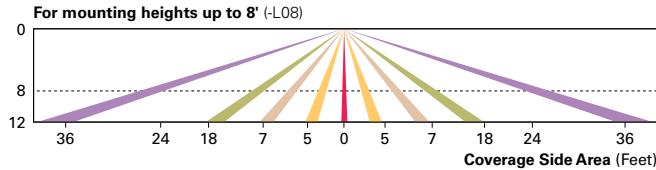
**REVISED PLANS
RECEIVED
12/20/2023**

Control Options

0-10V This fixture provides 0-10V dimming wire leads for use with a lighting control panel or other control method.

Photocontrol (PR and PR7) Photocontrol receptacles provide a flexible solution to enable "dusk-to-dawn" lighting by sensing light levels. Advanced control systems compatible with NEMA 7-PIN standards can be utilized with the PR7 receptacle.

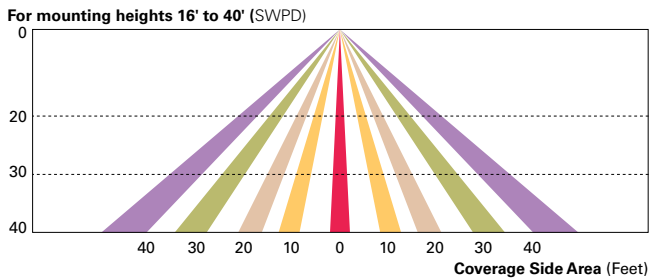
Dimming Occupancy Sensor (SPB, MS/DIM-LXX) These sensors are factory installed in the luminaire housing. When the SPB or MS/DIM sensor options are selected, the luminaire will dim down after five minutes of no activity detected. When activity is detected, the luminaire returns to full light output. These occupancy sensors include an integral photocell for "dusk-to-dawn" control or "daylight harvesting." Factory default is enabled for the MS sensors and disabled for the SPB. SPB motion sensors require the Sensor Configuration mobile application by Wattstopper to change factory default dimming level, time delay, sensitivity and other parameters. Available for iOS and Android devices. The SPB sensor is factory preset to dim down to approximately 10% power with a time delay of five minutes.



WaveLinx Wireless Control and Monitoring System Available in 7-PIN or 4-PIN configurations, the WaveLinx Outdoor control platform operates on a wireless mesh network based on IEEE 802.15.4 standards enabling wireless control of outdoor lighting. At least one Wireless Area Controller (WAC) is required for full functionality and remote communication (including adjustment of any factory pre-sets).

WaveLinx Outdoor Control Module (WOLC-7P-10A) A photocontrol that enables astronomical or time-based schedules to provide ON, OFF and dimming control of fixtures utilizing a 7-PIN receptacle. The out-of-box functionality is ON at dusk and OFF at dawn.

WaveLinx Wireless Sensor (SWPD4 and SWPD5) These outdoor sensors offer passive infrared (PIR) occupancy sensing and a photocell for closed-loop daylight sensing. These sensors can be factory installed or field-installed via simple, tool-less integration into luminaires equipped with the Zhaga Book 18 compliant 4-PIN receptacle (ZD or ZW). These sensors are factory preset to dim down to approximately 50 percent power after 15 minutes of no activity detected, and the photocell for "dusk-to-dawn" control is default enabled. A variety of sensor lenses are available to optimize the coverage pattern for mounting heights from 7'-40'.



LumenSafe (LD) The LumenSafe integrated network camera is a streamlined, outdoor-ready camera that provides high definition video surveillance. This IP camera solution is optimally designed to integrate into virtually any video management system or security software platform of choice. No additional wiring is needed beyond providing line power to the luminaire. LumenSafe features factory-installed power and networking gear in a variety of networking options allowing security integrators to design the optimal solution for active surveillance.

**REVISED PLANS
RECEIVED
12/20/2023**

DESCRIPTION

The patented Lumark Crosstour™ LED Wall Pack Series of luminaires provides an architectural style with super bright, energy efficient LEDs. The low-profile, rugged die-cast aluminum construction, universal back box, stainless steel hardware along with a sealed and gasketed optical compartment make the Crosstour impervious to contaminants. The Crosstour wall luminaire is ideal for wall/surface, inverted mount for façade/canopy illumination, post/bollard, site lighting, floodlight and low level pathway illumination including stairs. Typical applications include building entrances, multi-use facilities, apartment buildings, institutions, schools, stairways and loading docks test.

SPECIFICATION FEATURES

Construction

Slim, low-profile LED design with rugged one-piece, die-cast aluminum hinged removable door and back box. Matching housing styles incorporate both a small and medium design. The small housing is available in 12W, 18W and 26W. The medium housing is available in the 38W model. Patented secure lock hinge feature allows for safe and easy tool-less electrical connections with the supplied push-in connectors. Back box includes three half-inch, NPT threaded conduit entry points. The universal back box supports both the small and medium forms and mounts to standard 3-1/2" to 4" round and octagonal, 4" square, single gang and masonry junction boxes. Key hole gasket allows for adaptation to junction box or wall. External fin design extracts heat from the fixture surface. One-piece silicone gasket seals door and back box. Minimum 5" wide pole for site lighting application. Not recommended for car wash applications.

Optical

Silicone sealed optical LED chamber incorporates a custom engineered mirrored anodized reflector providing high-efficiency illumination. Optical assembly includes impact-resistant tempered glass and meets IESNA requirements for full cutoff compliance. Available in seven lumen packages; 5000K, 4000K and 3000K CCT.

Electrical

LED driver is mounted to the die-cast housing for optimal heat sinking. LED thermal management system incorporates both conduction and natural convection to transfer heat rapidly away from the LED source. 12W, 18W, 26W and 38W series operate in -40°C to 40°C [-40°F to 104°F]. High ambient 50°C models available. Crosstour luminaires maintain greater than 89% of initial light output after 72,000 hours of operation. Three half-inch NPT threaded conduit entry points allow for thru-branch wiring. Back box is an authorized

Catalog #		Type
Project		
Comments		Date
Prepared by		

electrical wiring compartment.

Integral LED electronic driver is standard 0-10V dimming. 120-277V 50/60Hz or 347V 60Hz models.

Finish

Crosstour is protected with a Super durable TGIC carbon bronze or summit white polyester powder coat paint. Super durable TGIC powder coat paint finishes withstand extreme climate conditions while providing optimal color and gloss retention of the installed life. Options to meet Buy American and other domestic preference requirements.

Warranty

Five-year warranty.

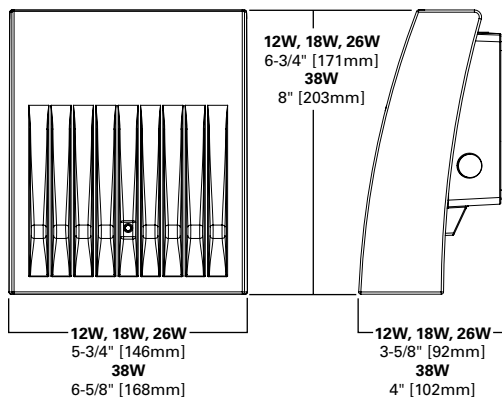


XTOR CROSTOUR LED

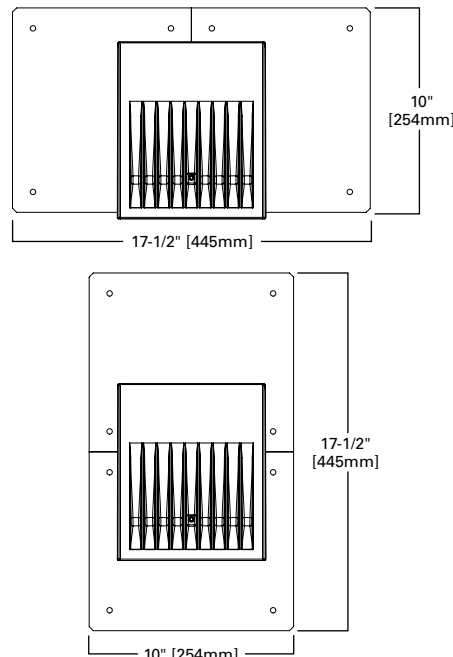
APPLICATIONS:
WALL / SURFACE
POST / BOLLARD
LOW LEVEL
FLOODLIGHT
INVERTED
SITE LIGHTING

**REVISED PLANS
RECEIVED
12/20/2023**

DIMENSIONS



ESCUTCHEON PLATES



CERTIFICATION DATA

Dark Sky Approved (Fixed mount, Full cutoff, and 3000K CCT only)
UL/cUL Wet Location Listed
LM79 / LM80 Compliant
ROHS Compliant
ADA Compliant
NOM Compliant Models
IP66 Ingressed Protection Rated
Title 24 Compliant
DesignLights Consortium® Qualified*

TECHNICAL DATA

40°C Maximum Ambient Temperature
External Supply Wiring 90°C Minimum

EPA

Effective Projected Area (Sq. Ft.):
XTOR1B, XTOR2B, XTOR3B=0.34
XTOR4B=0.45

SHIPPING DATA:

Approximate Net Weight:
3.7 – 5.25 lbs. [1.7 – 2.4 kgs.]

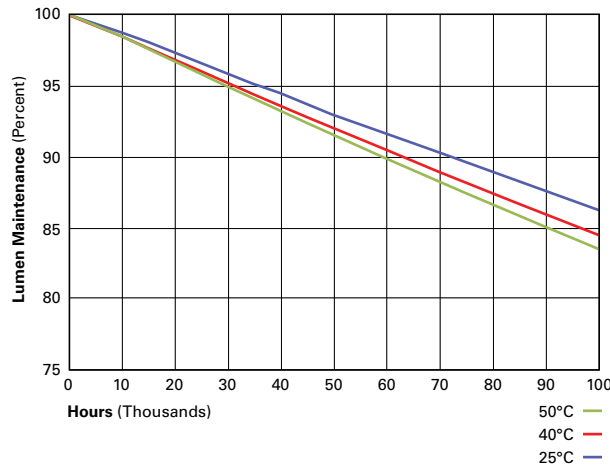
POWER AND LUMENS BY FIXTURE MODEL

LED Information	XTOR1B	XTOR1B-W	XTOR1B-Y	XTOR2B	XTOR2B-W	XTOR2B-Y	XTOR3B	XTOR3B-W	XTOR3B-Y	XTOR4B	XTOR4B-W	XTOR4B-Y
Delivered Lumens (Wall Mount)	1,418	1,396	1,327	2,135	2,103	1,997	2,751	2,710	2,575	4,269	4,205	3,995
Delivered Lumens (With Flood Accessory Kit) ¹	1,005	990	940	1,495	1,472	1,399	2,099	2,068	1,965	3,168	3,121	2,965
B.U.G. Rating ²	B1-U0-G0	B1-U0-G0	B1-U0-G0	B1-U0-G0	B1-U0-G0	B1-U0-G0	B1-U0-G0	B1-U0-G0	B1-U0-G0	B2-U0-G0	B2-U0-G0	B2-U0-G0
CCT (Kelvin)	5,000	4,000	3,000	5,000	4,000	3,000	5,000	4,000	3,000	5,000	4,000	3,000
CRI (Color Rendering Index)	70	70	70	70	70	70	70	70	70	70	70	70
Power Consumption (Watts)	12W	12W	12W	18W	18W	18W	26W	26W	26W	38W	38W	38W

NOTES: 1 Includes shield and visor. 2 B.U.G. Rating does not apply to floodlighting.

LUMEN MAINTENANCE

Ambient Temperature	TM-21 Lumen Maintenance (72,000 Hours)	Theoretical L70 (Hours)
XTOR1B Model		
25°C	> 90%	255,000
40°C	> 89%	234,000
50°C	> 88%	215,000
XTOR2B Model		
25°C	> 89%	240,000
40°C	> 88%	212,000
50°C	> 87%	196,000
XTOR3B Model		
25°C	> 89%	240,000
40°C	> 88%	212,000
50°C	> 87%	196,000
XTOR4B Model		
25°C	> 89%	222,000
40°C	> 87%	198,000
50°C	> 87%	184,000



CURRENT DRAW

Voltage	Model Series			
	XTOR1B	XTOR2B	XTOR3B	XTOR4B
120V	0.103A	0.15A	0.22A	0.34A
208V	0.060A	0.09A	0.13A	0.17A
240V	0.053A	0.08A	0.11A	0.17A
277V	0.048A	0.07A	0.10A	0.15A
347V	0.039A	0.06A	0.082A	0.12A

**REVISED PLANS
RECEIVED
12/20/2023**

ORDERING INFORMATION

Sample Number: XTOR2B-W-WT-PC1

Series ¹	LED Kelvin Color	Housing Color	Options (Add as Suffix)	Accessories (Order Separately) ⁸
XTOR1B =Small Door, 12W XTOR2B =Small Door, 18W XTOR3B =Small Door, 26W XTOR4B =Medium Door, 38W BAA-XTOR1B =Small Door, 12W, Buy American Act Compliant ⁷ TAA-XTOR1B =Small Door, 12W Trade Agreements Act Compliant ⁷ BAA-XTOR2B =Small Door, 18W, Buy American Act Compliant ⁷ TAA-XTOR2B =Small Door, 18W, Trade Agreements Act Compliant ⁷ BAA-XTOR3B =Small Door, 26W, Buy American Act Compliant ⁷ TAA-XTOR3B =Small Door, 26W, Trade Agreements Act Compliant ⁷ BAA-XTOR4B =Medium Door, 38W, Buy American Act Compliant ⁷ TAA-XTOR4B =Medium Door, 38W, Trade Agreements Act Compliant ⁷	[Blank] =Bright White (Standard), 5000K W =Neutral White, 4000K Y =Warm White, 3000K	[Blank] =Carbon Bronze (Standard) WT =Summit White BK =Black BZ =Bronze AP =Grey GM =Graphite Metallic DP =Dark Platinum	PC1 =Photocontrol 120V ² PC2 =Photocontrol 208-277V ^{2,3} 347V =347V ⁴ HA =50°C High Ambient ⁴	WG/XTOR =Wire Guard ⁵ XTORFLD-KNC =Knuckle Floodlight Kit ⁶ XTORFLD-TRN =Trunnion Floodlight Kit ⁶ XTORFLD-KNC-WT =Knuckle Floodlight Kit, Summit White ⁶ XTORFLD-TRN-WT =Trunnion Floodlight Kit, Summit White ⁶ EWP/XTOR =Escutcheon Wall Plate, Carbon Bronze EWP/XTOR-WT =Escutcheon Wall Plate, Summit White

NOTES:

- DesignLights Consortium® Qualified and classified for both DLC Standard and DLC Premium, refer to www.designlights.org for details.
- Photocontrols are factory installed.
- Order PC2 for 347V models.
- Thru-branch wiring not available with HA option or with 347V. XTOR3B not available with HA and 347V or 120V combination.
- Wire guard for wall/surface mount. Not for use with floodlight kit accessory.
- Floodlight kit accessory supplied with knuckle (KNC) or trunnion (TRN) base, small and large top visors and small and large impact shields.
- Only product configurations with these designated prefixes are built to be compliant with the Buy American Act of 1933 (BAA) or Trade Agreements Act of 1979 (TAA), respectively. Please refer to [DOMESTIC PREFERENCES](#) website for more information. Components shipped separately may be separately analyzed under domestic preference requirements.
- Accessories sold separately will be separately analyzed under domestic preference requirements. Consult factory for further information.

STOCK ORDERING INFORMATION

Domestic Preferences ¹	12W Series	18W Series	26W Series	38W Series
[Blank] =Standard	XTOR1B =12W, 5000K, Carbon Bronze	XTOR2B =18W, 5000K, Carbon Bronze	XTOR3B =26W, 5000K, Carbon Bronze	XTOR4B =38W, 5000K, Carbon Bronze
BAA =Buy American Act	XTOR1B-WT =12W, 5000K, Summit White	XTOR2B-W =18W, 4000K, Carbon Bronze	XTOR3B-W =26W, 4000K, Carbon Bronze	XTOR4B-W =38W, 4000K, Carbon Bronze
TAA =Trade Agreements Act	XTOR1B-PC1 =12W, 5000K, 120V PC, Carbon Bronze	XTOR2B-WT =18W, 5000K, Summit White	XTOR3B-WT =26W, 5000K, Summit White	XTOR4B-WT =38W, 5000K, Summit White
	XTOR1B-W =12W, 4000K, Carbon Bronze	XTOR2B-PC1 =18W, 5000K, 120V PC, Carbon Bronze	XTOR3B-PC1 =26W, 5000K, 120V PC, Carbon Bronze	XTOR4B-PC1 =38W, 5000K, 120V PC, Carbon Bronze
		XTOR2B-W-PC1 =18W, 4000K, 120V PC, Carbon Bronze	XTOR3B-W-PC1 =26W, 4000K, 120V PC, Carbon Bronze	XTOR4B-W-PC1 =38W, 4000K, 120V PC, Carbon Bronze
		XTOR2B-347V =18W, 5000K, Carbon Bronze, 347V	XTOR3B-347V =26W, 5000K, Carbon Bronze, 347V	XTOR4B-347V =38W, 5000K, Carbon Bronze, 347V
		XTOR2B-WT-PC1 =18W, 5000K, 120V PC, Summit White	XTOR3B-PC2 =26W, 5000K, 208-277V PC, Carbon Bronze	

NOTES:

- Only product configurations with these designated prefixes are built to be compliant with the Buy American Act of 1933 (BAA) or Trade Agreements Act of 1979 (TAA), respectively. Please refer to [DOMESTIC PREFERENCES](#) website for more information. Components shipped separately may be separately analyzed under domestic preference requirements.

**REVISED PLANS
RECEIVED
12/20/2023**



Cooper Lighting Solutions
 1121 Highway 74 South
 Peachtree City, GA 30269
 P: 770-486-4800
 www.cooperlighting.com

Specifications and dimensions subject to change without notice.