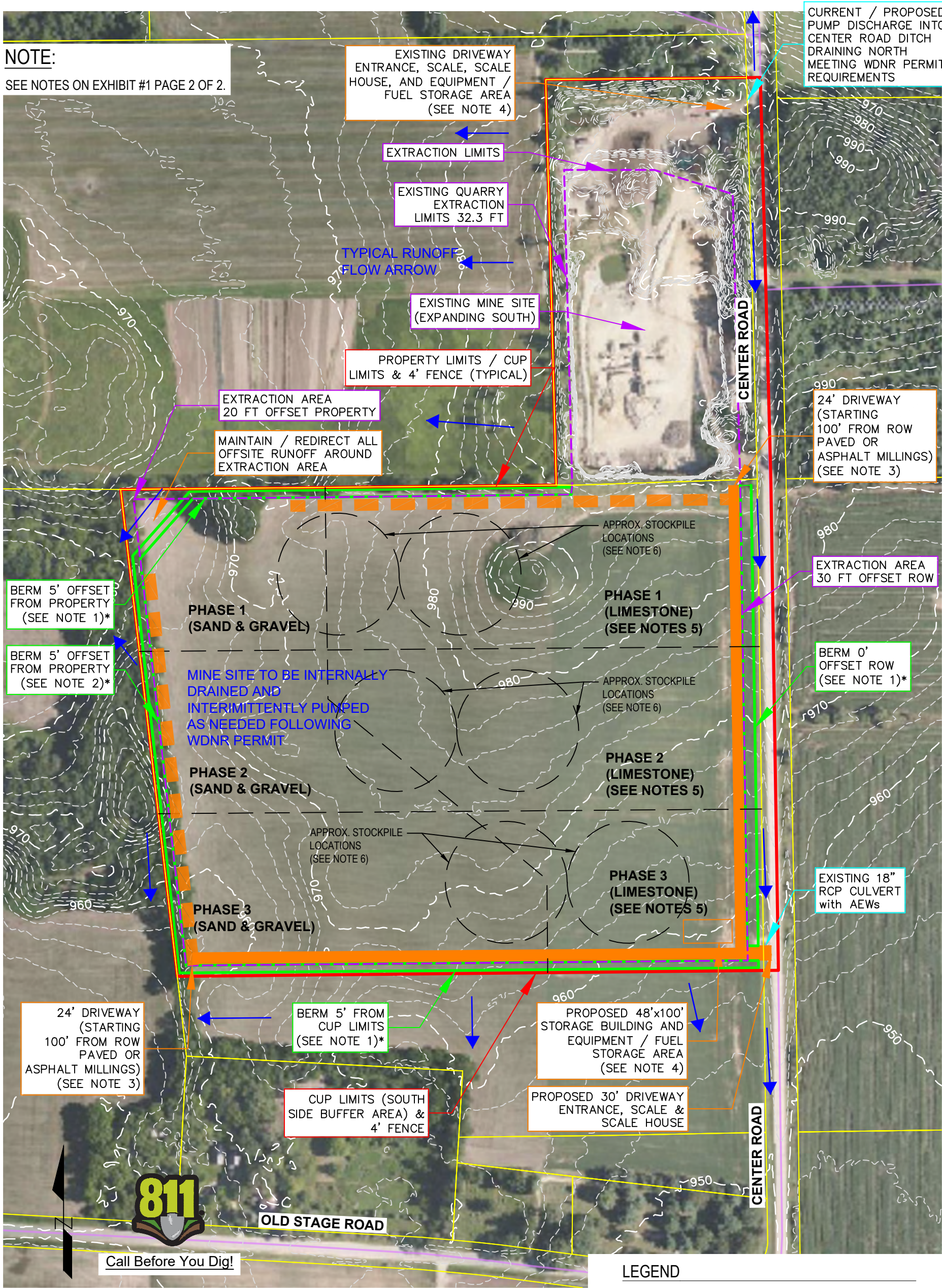


Exhibit 1

**Operation & Erosion Control Plan
(Site Map & Property Boundaries with Aerial
Photo Background)**

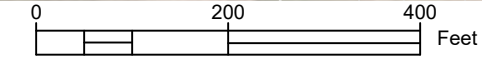
NOTE:

SEE NOTES ON EXHIBIT #1 PAGE 2 OF 2.

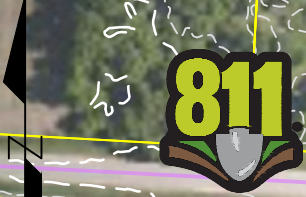


LEGEND

- PROJECT AREA
- ROADS
- PARCELS




GRAPHIC SCALE: 1"=200'-0"



Call Before You Dig!

Project Name and Address CENTER ROAD QUARRY NON-METALLIC MINE TOWN OF RUTLAND DANE COUNTY	1	PERMIT	8/19/22
	2	REVISIOIN 1	1/11/22
No.	Revision/Issue	Date	



Full Service Civil Engineering Design Specializing in:
SITE DESIGN | STORMWATER | PLUMBING | SOIL TESTING
eric@mendota-consulting.com - 608-618-3742

Sheet Title
**OPERATIONAL PLAN
& EROSIONAL CONTROL**

Project No.
22-028

Sheet No.
EXHIBIT #1
PAGE 1 OF 2

Exhibit 6

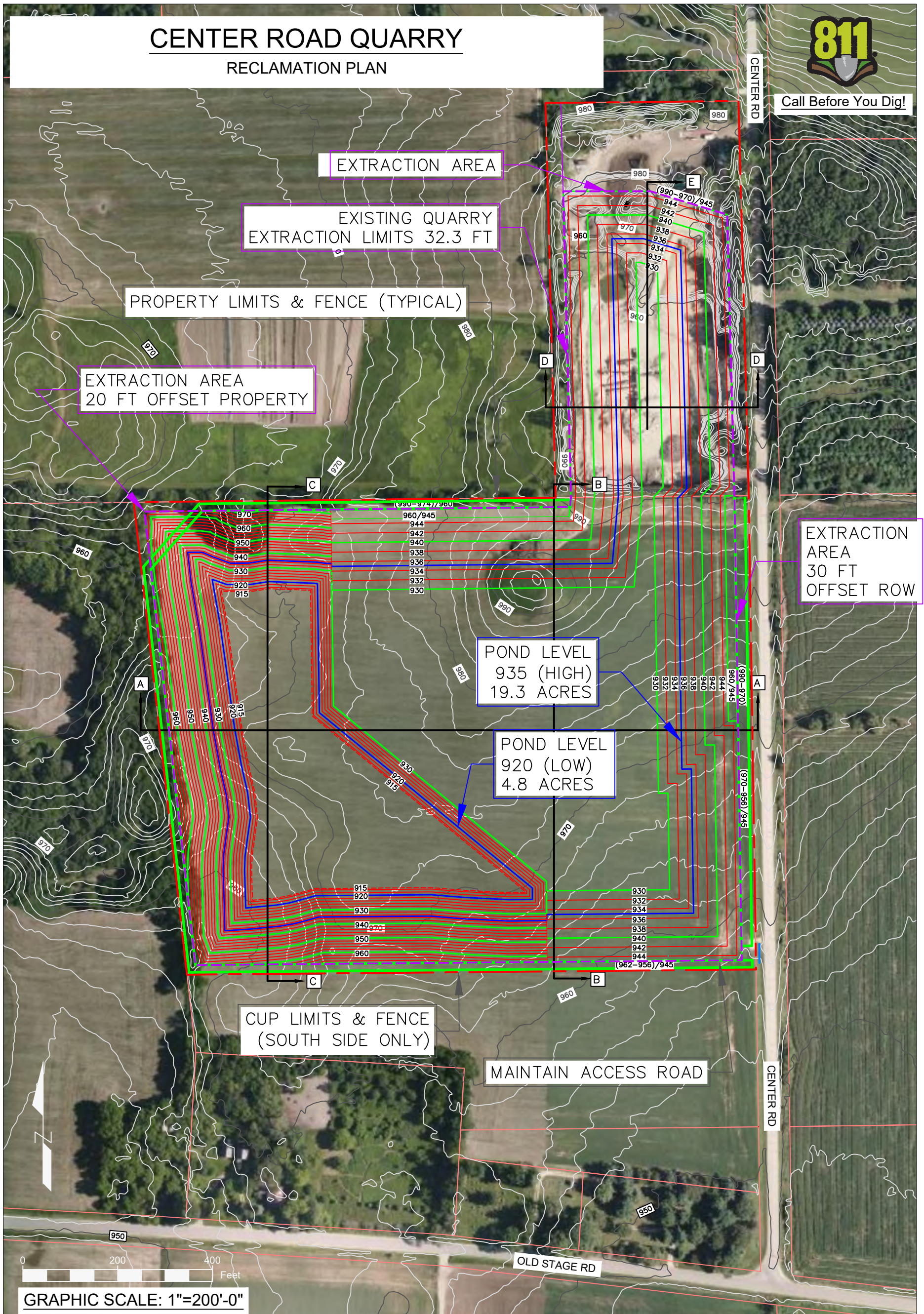
Reclamation Plan & Cross Sections

CENTER ROAD QUARRY

RECLAMATION PLAN



Call Before You Dig!



Project Name and Address
 CENTER ROAD QUARRY
 NON-METALLIC MINE
 TOWN OF RUTLAND
 DANE COUNTY

1	PERMIT	8/19/21
2	REVISION 1	1/11/22
No.	Revision/Issue	Date



Full Service Civil Engineering Design Specializing in:
 STORMWATER | PLUMBING | SOIL TESTING | FIRE PROTECTION
 eric@mendota-consulting.com - 608-618-3742

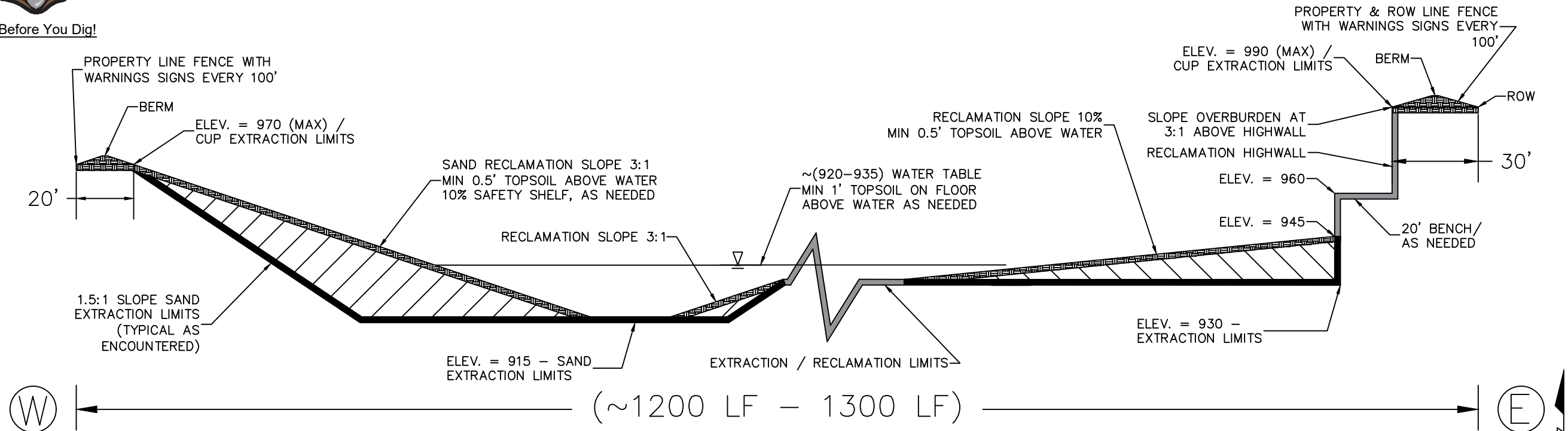
Sheet Title.
 RECLAMATION PLAN
 & CROSS SECTIONS

Project No.
 22-028

Sheet No.
 EXHIBIT 6 (1 OF 4)

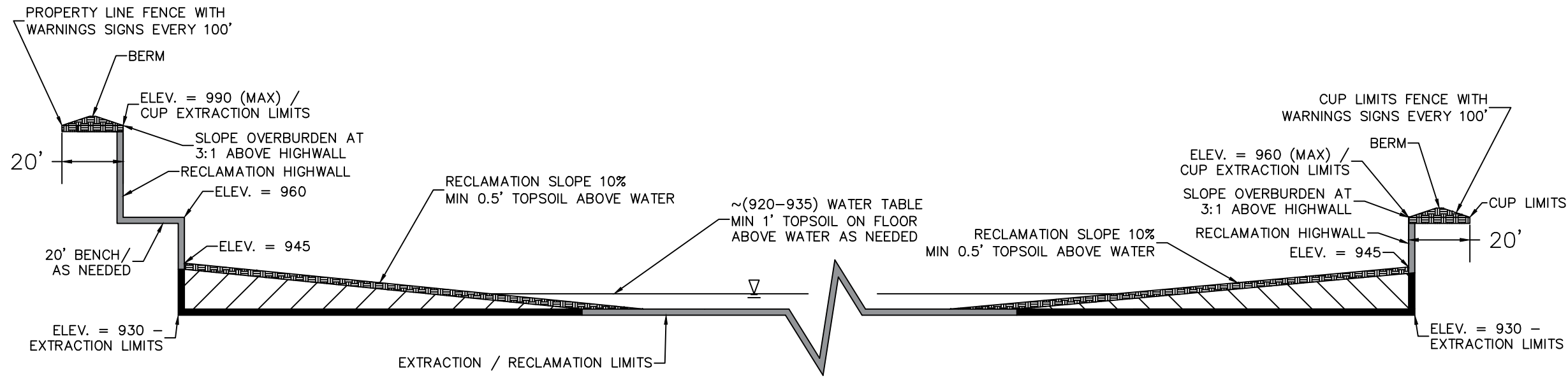


Call Before You Dig!



CROSS SECTION A

GRAPHIC SCALE: 1"=40'-0"



CROSS SECTION B

GRAPHIC SCALE: 1"=40'-0"



Full Service Civil Engineering Design Specializing in:
STORMWATER | PLUMBING | SOIL TESTING | FIRE PROTECTION
eric@mendota-consulting.com - 608-618-3742

1	PERMIT	8/19/22
2	REVISION 1	1/11/23

No.	Revision/Issue	Date
-----	----------------	------

Project Name and Address
**CENTER ROAD QUARRY
 NON-METALLIC MINE
 TOWN OF RUTLAND
 DANE COUNTY**

Sheet Title.
**RECLAMATION PLAN
 & CROSS SECTIONS**

Project No.
 22-028

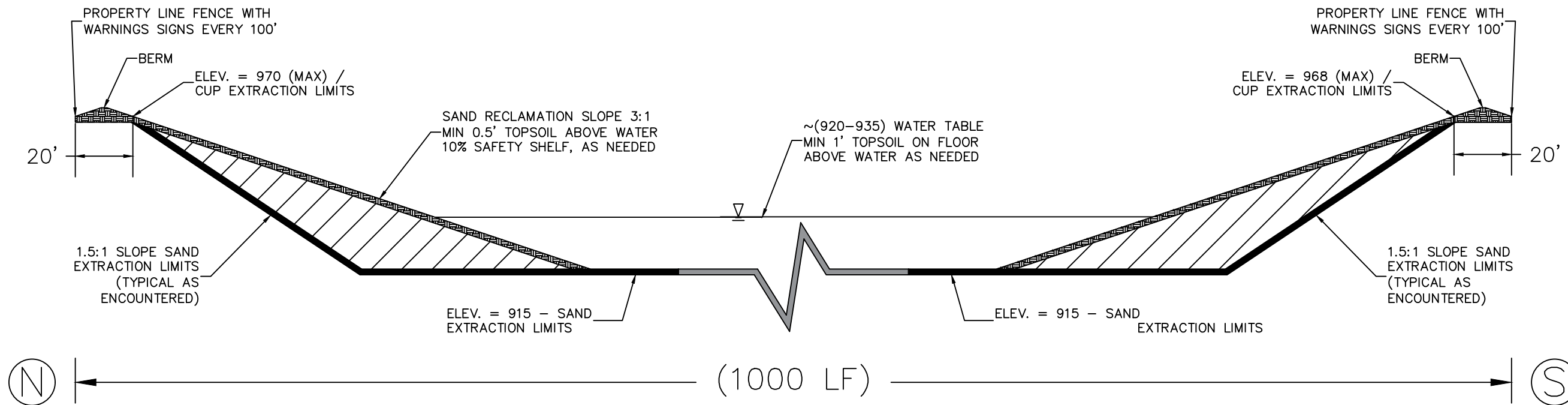
Sheet No.
 EXHIBIT #6 (2 OF 4)



Call Before You Dig!



Full Service Civil Engineering Design Specializing in:
STORMWATER | PLUMBING | SOIL TESTING | FIRE PROTECTION
eric@mendota-consulting.com - 608-618-3742



CROSS SECTION C



GRAPHIC SCALE: 1"=40'-0"

1	PERMIT	8/19/22
2	REVISION 1	1/11/23

No.	Revision/Issue	Date
-----	----------------	------

Project Name and Address
 CENTER ROAD QUARRY
 NON-METALLIC MINE
 TOWN OF RUTLAND
 DANE COUNTY

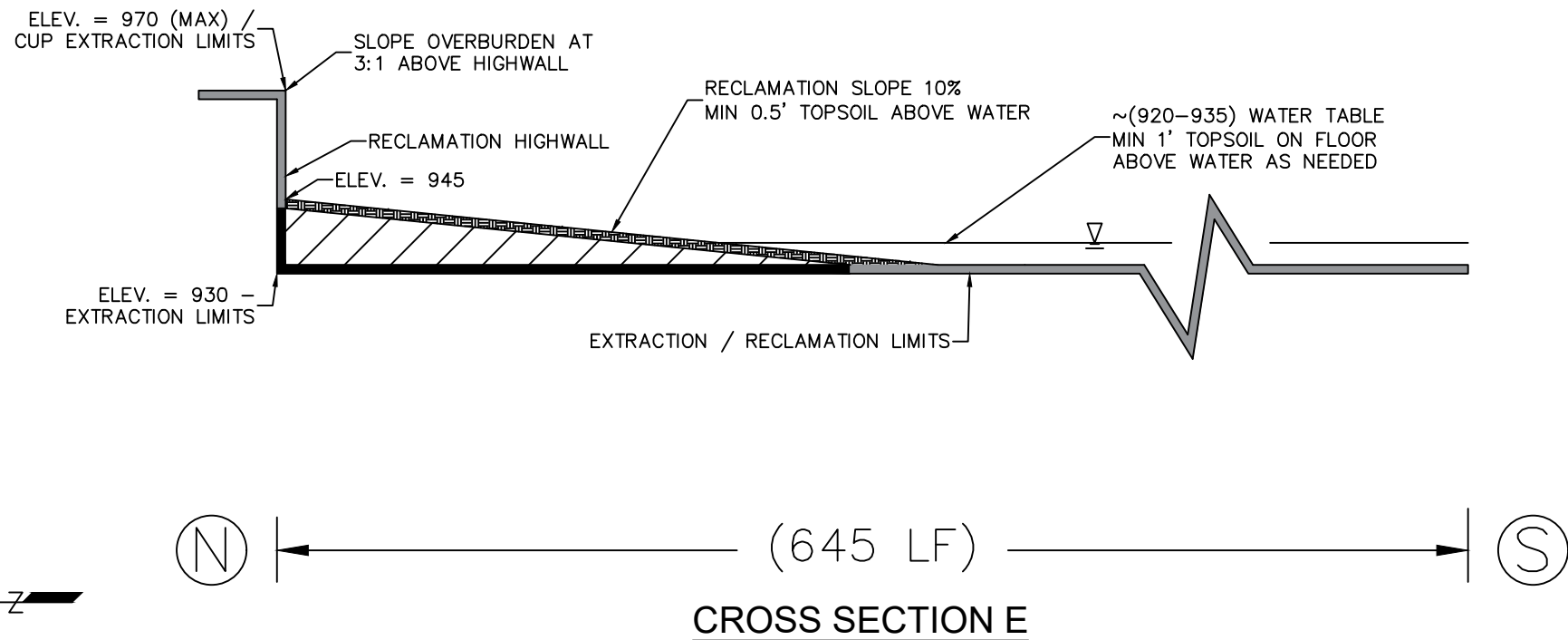
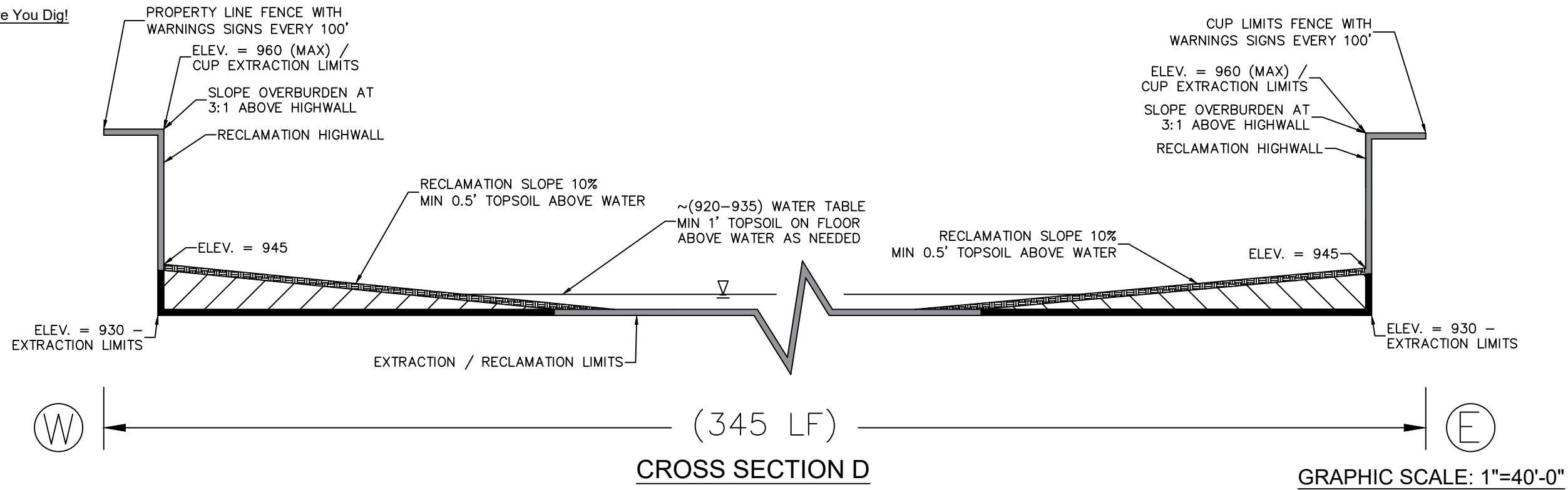
Sheet Title.
 RECLAMATION PLAN
 & CROSS SECTIONS

Project No.
 22-028

Sheet No.
 EXHIBIT #6 (3 OF 4)



Call Before You Dig!



Full Service Civil Engineering Design Specializing in:
STORMWATER | PLUMBING | SOIL TESTING | FIRE PROTECTION
eric@mendota-consulting.com - 608-618-3742

1	PERMIT	8/19/22
2	REVISION 1	1/11/23

No.	Revision/Issue	Date
-----	----------------	------

Project Name and Address
CENTER ROAD QUARRY
NON-METALLIC MINE
TOWN OF RUTLAND
DANE COUNTY

Sheet Title.
RECLAMATION PLAN
& CROSS SECTIONS

Project No.
22-028

Sheet No.
EXHIBIT #6 (4 OF 4)