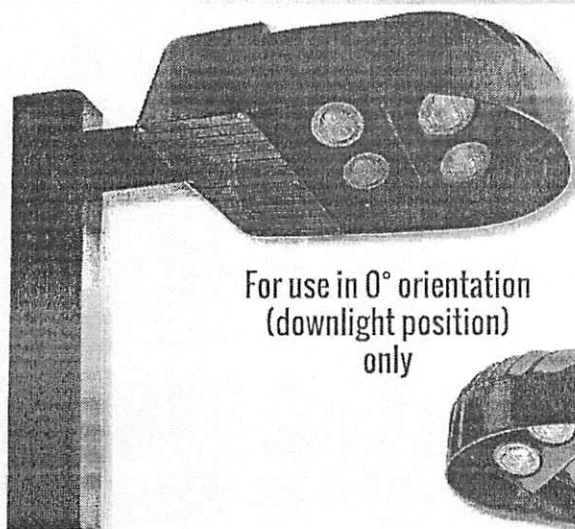


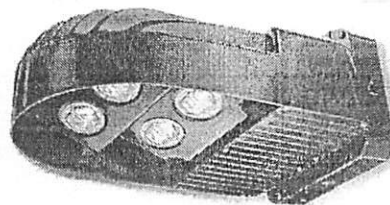


# E-APA23 Series

LED Area Light - Type III  
Replaces 400W PSMH



For use in 0° orientation  
(downlight position)  
only



## Achieve cohesion by way of multiple mounting options!

Our E-APA fixtures can be pole or wall mounted to provide any application space with a unified look and a sleek design.

### Efficient

- Up to 57% energy savings over comparable HID fixtures
- Heat dissipating fins keep LEDs running cooler, longer
- Glare shield reduces light pollution

### Recommended Use

- General area lighting
- Parking lots
- Roadways

### Durable

- Sturdy, low-copper die-cast aluminum construction
- Rugged tempered glass lens

### Input Voltage

- Universal (120V through 277V Operation)

### Certifications

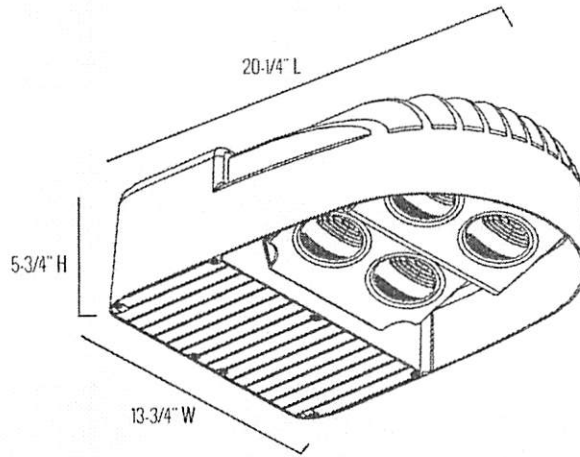


NON-DIMMABLE



CREE LEDs

# E-APA23 Series



## Series Overview

DIMENSIONS	PRODUCT WEIGHT	MOUNTING HEIGHT	SPACING
20-1/4" L x 13-3/4" W x 5-3/4" H	26.71 lbs.	20 to 30 feet	4 to 5 times the mounting height

## Fixture Specifications

<b>HOUSING</b>	Low-copper, die-cast aluminum housing Dark bronze polyester powder-coat finish
<b>LENS ASSEMBLY</b>	Tempered glass lens is thermal, shock and impact resistant Patented lens design delivers IES Type III distribution
<b>MOUNTING</b>	Fixture comes without mounting (sold separately) For use in 0° orientation (downlight position) only

## Electrical Performance

OPERATING MINIMUM	LIFESPAN <small>L<sub>70</sub> AT 25° C (77° F)</small>	POWER FACTOR	TOTAL HARMONIC DISTORTION	DIMMABLE
-40°C (-40°F)	Estimated >100,000 Hours	> 0.9	< 20%	No
INPUT VOLTAGE	<b>120V</b>	<b>208V</b>	<b>240V</b>	<b>277V</b>
Current Draw (Amps)	1.9A	1.1A	0.95A	0.82A

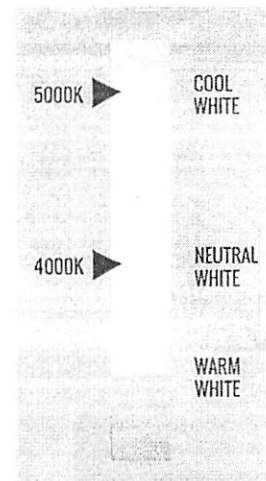
## Warranty & Certifications

WARRANTY	UL LISTED	DLC	ENERGY STAR
5-Year Limited	Wet Locations (0° tilt only)	Yes	---

## Output Specifications

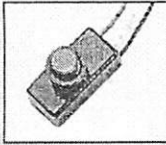
SKU	LIGHT OUTPUT	COLOR TEMP (See chart)	POWER CONSUMPTION	COLOR ACCURACY	REPLACES
E-APA23A-C350Z	22,700 Lumens	Cool White (5000K)	228W	≥ 70 CRI	400W PSMH
E-APA23A-C340Z	23,100 Lumens	Neutral White (4000K)	228W	≥ 70 CRI	400W PSMH

## CORRELATED COLOR TEMPERATURE (CCT)



# E-APA23 Series

## Accessories

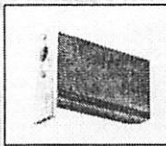


Photocell - Button, 120V/208V/240V/277V

SKU: **E-ACP1** (120V)  
**E-ACP2** (208V/240V/277V)

USE: Photocell is field installed  
For use with 2" adjustable slip fitter only

## Mounting Options (Use only when mounting E-APA12 & E-APA23 Series Area Lights)



6" Mounting Arm

SKU: **E-ACE**  
USE: For pole mounting



2" Slip Fitter

SKU: **E-ACS**  
USE: For pole mounting  
Fits over 2-3/8" O.D. pipe



Adjustable U-bracket

SKU: **E-ACUH**  
USE: For wall mounting  
NOTE: Not for use with E-APA12 series

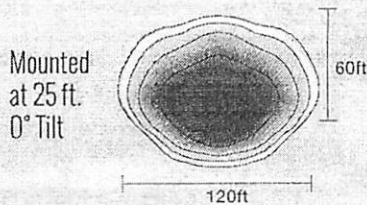


Wall Pack Back Box

SKU: **E-ACAPABB**  
USE: For wall pack mounting

FLOOD & AREA

## Photometric Diagrams



All published photometric testing performed to IESNA LM-79-08 standards by a NVLAP certified laboratory. Fixture photometry was completed on a single representative fixture.

## Generational Chart

OLD SERIES	NEW SERIES
E-AL2L Series	E-APA23 Series
E-AL4L Series	E-APA23 Series with back box

# E-PS Series

## Square Steel Pole

E-PS4 (4 INCH)

SKU	HEIGHT X WIDTH X WALL THICKNESS	BOLT CIRCLE RANGE	ANCHOR BOLT SIZE	STRUCTURAL WEIGHT OF POLE
E-PS4E15G(-)DB	15' x 4" x 0.120"			108
E-PS4E17C(-)DB	17' x 4" x 0.120"			120
E-PS4E20G(-)DB	20' x 4" x 0.120"			140
E-PS4E20S(-)DB	20' x 4" x 0.180"	8'-9"	3/4" - 10 x 17" - 3"	200
E-PS4E22S(-)DB	22' x 4" x 0.180"			220
E-PS4E25S(-)DB	25' x 4" x 0.180"			245

E-PS5 (5 INCH)

SKU	HEIGHT X WIDTH X WALL THICKNESS	BOLT CIRCLE RANGE	ANCHOR BOLT SIZE	STRUCTURAL WEIGHT OF POLE
E-PS5E17C(-)DB	17' x 5" x 0.120"			160
E-PS5E20G(-)DB	20' x 5" x 0.120"			185
E-PS5E22S(-)DB	22' x 5" x 0.180"	10'-12"	3/4" - 10 x 17" - 3"	305
E-PS5E25S(-)DB	25' x 5" x 0.180"			330
E-PS5E27S(-)DB	27' x 5" x 0.180"			350
E-PS5E30S(-)DB	30' x 5" x 0.180"			380

E-PS6 (6 INCH)

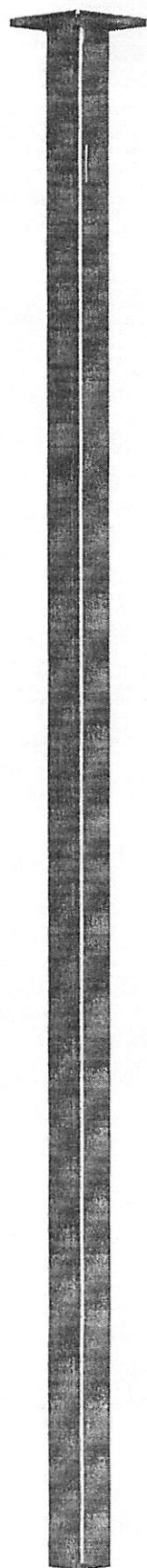
SKU	HEIGHT X WIDTH X WALL THICKNESS	BOLT CIRCLE RANGE	ANCHOR BOLT SIZE	STRUCTURAL WEIGHT OF POLE
E-PS6E17C(-)DB	27' x 6" x 0.180"			508
E-PS6E27S(-)DB	27' x 6" x 0.180"			520
E-PS6E30S(-)DB	30' x 6" x 0.180"	11'-13"	1" - 8 x 36" - 4"	540

\*Select Drill Configuration Note: Tenon measures (2.38" O.D. x 4.0" I.D.)  
 No Drill 0 1 2 3 4 5 6 T  
 Tenon

- ### Recommended Use
- Parking lots
  - Roadways
  - General area
- ### Certifications
- 1 YEAR WARRANTY**

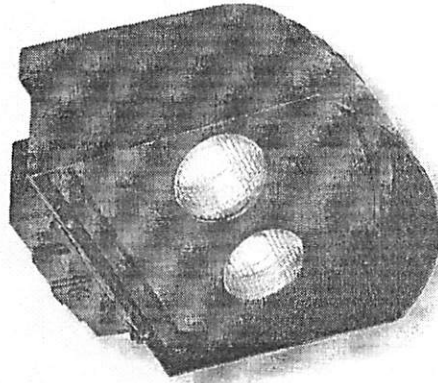
### Construction & Materials

- Mechanically cleaned and coated with an electrostatically applied, baked-on powder top coat
  - Painted in dark bronze
  - Partially galvanized anchor bolts and hardware included.
  - Anchor bolts are made from carbon steel bar conforming to ASTM and ASTM Grade 55 requirements
  - Base is supplied with slotted anchor bolt openings for range of bolt circles to be utilized
  - Base plate telescopes the pole shaft and is circumferentially welded top and bottom
- ### Construction & Materials
- A standard full base cover is included with each pole and made from ABS plastic, secured together with two plastic hand push rivets
  - Rectangular shaped handholes is furnished and includes a steel cover.
  - Attachement bar with machine screw
  - Handhole is located 18-inches above the pole base
  - Ground lug is provided near the handhole and includes a hex-head bolt and nut
  - Removable pole cap is included with each pole configured for fixture side mounting or no drill
  - Poles with tenon top configuration do not include a pole cap



# E-WFC18 Series

Premium LED Outdoor Wall Pack  
Replaces 320W PSMH / 400W MH



WALL PACKS

## High power in a compact design

This Wall Pack is designed to be discreet in look, but mighty in power. It will eliminate glare and uplight - like our other full cutoff designs - but with 18,000 lumens, won't leave you in the dark. Purchase one today for the perfect mix between our other full cutoff options and our Wall Pack - Area Lights.

### Premium | Full Cutoff

- High output, compact design
- Full cutoff design for direct downlight

### Efficient

- Energy efficient, up to 60% energy savings
- Long estimated lifetime and low energy usage

### Recommended Use

- Security
- Pathways
- Perimeter lighting
- When control of spill light is important

### Input Voltage

- Universal (120V through 277V Operation)

### Certifications

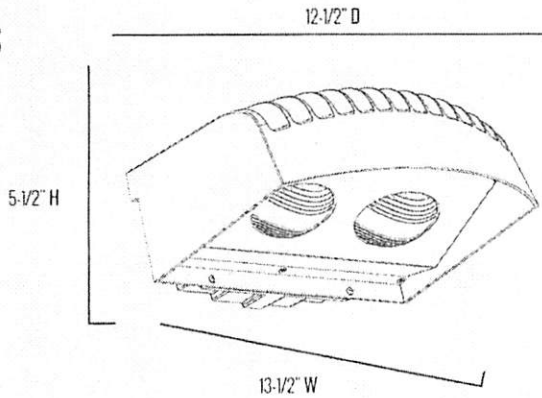


NON-DIMMABLE



CREE LEDs

# E-WFC18 Series



## Series Overview

DIMENSIONS	PRODUCT WEIGHT	MOUNTING HEIGHT	SPACING
12-1/2" D x 13-1/2" W x 5-1/2" H	14.6 lbs.	15 to 25 feet	3 to 4 times the mounting height

## Fixture Specifications

<b>HOUSING</b>	Powder-coated aluminum construction   Dark bronze powder-coat finish
<b>LENS ASSEMBLY</b>	Fixed cutoff glare shield to reduce light pollution Tempered glass lens is thermal, shock & impact resistant Patented lens design delivers true IES Type III distribution
<b>MOUNTING</b>	1/2" threaded conduit entries on two sides and bottom or mount over recessed junction box Die-cast detachable back box for easy mounting

## Electrical Performance

OPERATING MINIMUM	LIFESPAN <small>L<sub>50</sub> AT 25°C (77°F)</small>	POWER FACTOR	TOTAL HARMONIC DISTORTION	DIMMABLE
-40°C (-40°F)	Estimated > 75,000 Hours	> 0.9	< 20%	No
<b>INPUT VOLTAGE</b>	<b>120V</b>	<b>208V</b>	<b>240V</b>	<b>277V</b>
Current Draw (Amps)	1.31A	0.75A	0.65A	0.57A

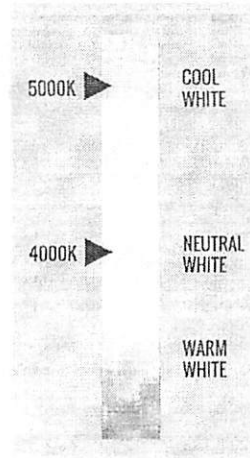
## Warranty & Certifications

WARRANTY	UL LISTED	DLC
5-Year Limited	Wet Locations	Yes

## Output Specifications

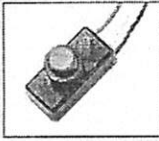
SKU	LIGHT OUTPUT	COLOR TEMP (See chart)	POWER CONSUMPTION	COLOR ACCURACY	REPLACES
E-WFC18A-F50Z	18,000 Lumens	Cool White (5000K)	157W	≥ 70 CRI	320W PSMH 400W MH
E-WFC18A-F40Z	18,000 Lumens	Neutral White (4000K)	157W	≥ 70 CRI	320W PSMH 400W MH

## CORRELATED COLOR TEMPERATURE (CCT)



# E-WFC18 Series

## Accessories

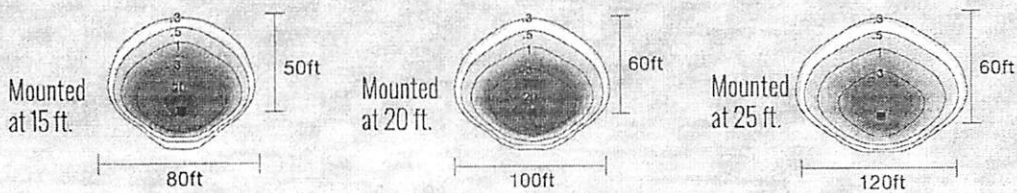


PhotoCell - Button, 120V/208V/240V/277V

SKU: **E-ACP1** (120V)  
**E-ACP2** (208V/240V/277V)

USE: PhotoCell is field installed.  
Drilling of the back box in the field is required.

## Photometric Diagrams



All published photometric testing performed to IESNA LM-79-08 standards by a NVLAP certified laboratory. Fixture photometry was completed on a single representative fixture.