

Project	Premier Golf	Catalog #	PRV-C40-730-D-UNV-T4-BZ PRV-C40-730-D-UNV-T2-BZ PRV-C60-730-D-UNV-T5-BZ	Type	OA/OB/OC
Prepared by		Notes	Site Light Pole	Date	2/23/26



Lumark

Prevail LED

Area / Site Luminaire

Product Features



Interactive Menu

- Ordering Information [page 2](#)
- Mounting Details [page 3, 4](#)
- Optical Configurations [page 5](#)
- Product Specifications [page 5](#)
- Energy and Performance Data [page 6, 7](#)
- Control Options [page 8](#)

Product Certifications



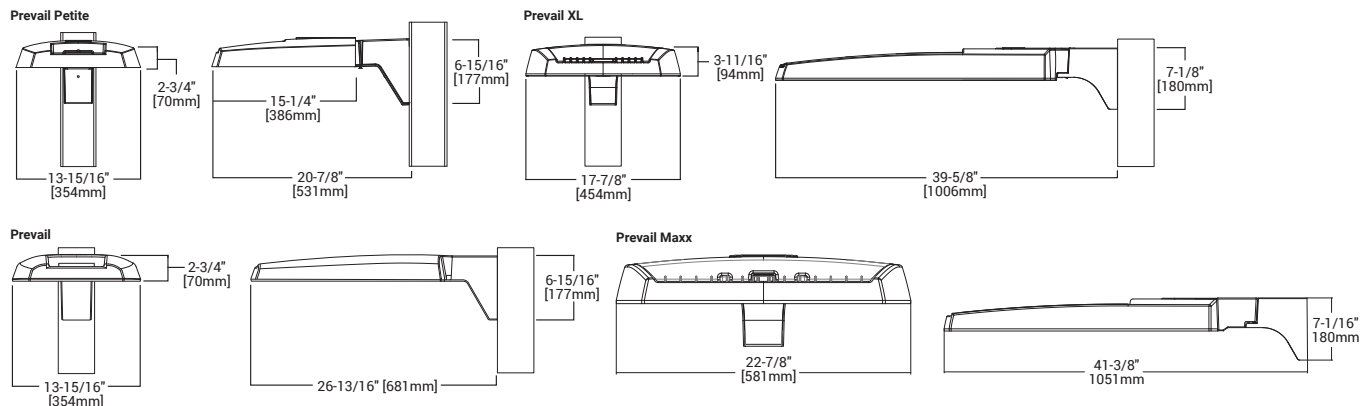
Quick Facts

- Lumen packages range from 4,800 - 84,000 lumens (35W - 588W)
- Replaces 70W up to 1,000W HID equivalents
- Efficacies up to 160 lumens per watt
- Energy and maintenance savings up to 85% versus HID solutions
- Standard universal quick mount arm with universal drill pattern

Connected Systems

- WaveLinx PRO Wireless
- WaveLinx LITE Wireless

Dimensional Details



NOTES:
 1. Visit <https://www.designlights.org/search/> to confirm qualification. Not all product variations are DLC qualified.
 2. IDA Certified for 3000K CCT and warmer only.

Ordering Information

SAMPLE NUMBER: PRV-XL-C75-740-D-UNV-T4-SA-BZ

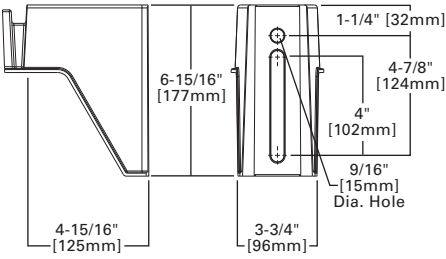
Product Family ^{1,2}	Light Engine ⁴	Color Temperature	Driver	Voltage	Distribution	Mounting	Color
PRV-P=Prevail Petite BAA-PRV-P=Prevail Petite BAA Compliant ³ TAA-PRV-P=Prevail Petite TAA Compliant ³ BABA-PRV-P=Prevail Petite BABA Build America Buy America Act Compliant ³⁰	C10=(1 LED) 4,900 Nominal Lumens C15=(1 LED) 6,900 Nominal Lumens C20=(1 LED) 9,800 Nominal Lumens C25=(1 LED) 11,800 Nominal Lumens	740=70CRI, 4000K 727=70CRI, 2700K 730=70CRI, 3000K 750=70CRI, 5000K 8540=85CRI, 4000K	D=Dimming (0-10V)	UNV=Universal (120-277V) H=High Voltage, 347-480V 8=480V ⁵ 9=347V DV=DuraVolt (277-480V) ^{5,6}	T2=Type II T3=Type III T4=Type IV T5=Type V	SA=QM Standard Versatile Arm MA=QM Mast Arm FMA= Fixed Mast Arm ²⁶ WM=QM Wall Mount Arm ADJA-WM=Adjustable Arm-Wall Mount ²⁸ ADJA=Adjustable Arm-Pole Mount ²⁸ ADJS=Adjustable Arm-Slipfitter, 3" vertical tenon ²⁸ SP2=Adjustable Arm-Slipfitter, 2 3/8" vertical tenon ^{26,28}	BZ=Bronze AP=Grey BK=Black DP=Dark Platinum GM=Graphite Metallic WH=White
PRV=Prevail BAA-PRV=Prevail BAA Compliant ³ TAA-PRV=Prevail TAA Compliant ³ BABA-PRV=Prevail BABA Build America Buy America Act Compliant ³⁰	C15=(1 LED) 7,100 Nominal Lumens C25=(2 LEDs) 13,100 Nominal Lumens C40=(2 LEDs) 17,100 Nominal Lumens C60=(2 LEDs) 20,000 Nominal Lumens						
PRV-XL=Prevail XL BAA-PRV-XL=Prevail XL BAA Compliant ³ TAA-PRV-XL=Prevail XL TAA Compliant ³ BABA-PRV-XL=Prevail XL BABA Build America Buy America Act Compliant ³⁰	C75=(4 LED) 26,100 Nominal Lumens C100=(4 LED) 31,000 Nominal Lumens C125=(4 LED) 36,000 Nominal Lumens C150=(6 LED) 41,100 Nominal Lumens C175=(6 LED) 48,600 Nominal Lumens						
PRV-M=Prevail Maxx BAA-PRV-M=Prevail Maxx BAA Compliant ³ TAA-PRV-M=Prevail MaxxTAA Compliant ³ BABA-PRV-M=Prevail Maxx BABA Build America Buy America Act Compliant ³⁰	C200=(9 LED) 48,000 Nominal Lumens C225=(9 LED) 56,000 Nominal Lumens C250=(9 LED) 65,000 Nominal Lumens C275=(9 LED) 73,000 Nominal Lumens						
Options (Add as Suffix)			Accessories (Order Separately) ^{20,21}				
CC=Coastal Construction finish ⁹ HSS=House Side Shield ⁷ L90=Optics Rotated 90° Left R90=Optics Rotated 90° Right 10K=10kV/10kA UL 1449 Fused Surge Protective Device 20MSP=20kV MOV Surge Protective Device 20K=20kV UL 1449 Fused Surge Protective Device HA=50°C High Ambient Temperature ⁸ PR=NEMA 3-PIN Twistlock Photocontrol Receptacle ¹⁰ PR7=NEMA 7-PIN Twistlock Photocontrol Receptacle ¹⁰ FADC=Field Adjustable Dimming Controller ²⁹ MS/DIM-L08=Dimming Motion and Daylight Sensor, IR Remote Programmable, < 8' Mounting Height ^{11,12} MS/DIM-L20=Dimming Motion and Daylight Sensor, IR Remote Programmable, 8' - 20' Mounting Height ^{11,12} MS/DIM-L40=Dimming Motion and Daylight Sensor, IR Remote Programmable, 21' - 40' Mounting ^{11,12}	SPB1=Dimming Motion and Daylight Sensor, Bluetooth Programmable, < 8' Mounting Height ^{11,13} SPB2=Dimming Motion and Daylight Sensor, Bluetooth Programmable, 8' - 20' Mounting Height ^{11,13} SPB4=Dimming Motion and Daylight Sensor, Bluetooth Programmable, 21' - 40' Mounting Height ^{11,13,26,27} WPS2XX=WaveLinX Pro, SR Driver, Dimming Motion and Daylight, WAC Programmable, 7' - 15' Mounting ^{11,14,15,16} WPS4XX=WaveLinX Pro, SR Driver, Dimming Motion and Daylight, WAC Programmable, 15' - 40' Mounting ^{11,14,15,16} WLS2XX=WaveLinX Lite, SR Driver, Dimming Motion and Daylight, Bluetooth Programmable, 7' - 15' Mounting ^{11,14,15,16} WLS4XX=WaveLinX Lite, SR Driver, Dimming Motion and Daylight, Bluetooth Programmable, 15' - 40' Mounting ^{11,14,15,16}	PRVSA-XX=Standard Arm Mounting Kit ²¹ PRVMA-XX=Mast Arm Mounting Kit ²¹ PRVWM-XX=Wall Mount Kit ²¹ PRV-ADJA-XX=Adjustable Arm - Pole Mount Kit ²¹ PRV-ADJS-XX=Adjustable Arm - Slipfitter Kit ²¹ PRV-ADJA-WM-XX=Adjustable Arm - Wall Mount Kit ²¹ PRVXLSA-XX=Standard Arm Mounting Kit ²⁷ PRVXLMA-XX=Mast Arm Mounting Kit ²⁷ PRVXLWM-XX=Wall Mount Kit ²⁷ PRV-XL-ADJA-XX=Adjustable Arm - Pole Mount Kit ²⁷ PRV-XL-ADJS-XX=Adjustable Arm - Slipfitter Kit ²⁷ PRV-XL-ADJA-WM-XX=Adjustable Arm - Wall Mount Kit ²⁷ PRV-M-ADJA-XX=Adjustable Arm - Pole Mount Kit ²⁶ PRV-M-ADJS-XX=Adjustable Arm - Slipfitter Kit ²⁶ PRV-M-ADJA-WM-XX=Adjustable Arm - Wall Mount Kit ²⁶ MA1010-XX=Single Tenon Adapter for 3-1/2" O.D. Tenon	MA1011-XX=2@180° Tenon Adapter for 3-1/2" O.D. Tenon MA1017-XX=Single Tenon Adapter for 2-3/8" O.D. Tenon MA1018-XX=2@180° Tenon Adapter for 2-3/8" O.D. Tenon SRA238=Tenon Adapter from 3" to 2-3/8" PRV/COB-FDV=Full Drop Visor ²² PRVXL/COB-FDV=Full Drop Visor ¹⁷ HS/VERD=House Side Shield Kit ^{7,23} VGS-F/B= Vertical Glare Shield Kit, Front/Back ²³ VGS-SIDE=Vertical Glare Shield Kit, Side ²³ OA/RA1013=Photocontrol Shorting Cap OA/RA1014=NEMA Photocontrol - 120V OA/RA1016=NEMA Photocontrol - Multi-Tap 105-285V OA/RA1201=NEMA Photocontrol - 347V OA/RA1027=NEMA Photocontrol - 480V FSIR-100=Wireless Configuration Tool for Occupancy Sensor ²⁴ WOLC-7P-10A=WaveLinX Outdoor Control Module (7-PIN) ²⁵				
<p>NOTES:</p> <ol style="list-style-type: none"> DesignLights Consortium® Qualified. Refer to www.designlights.org Qualified Products List under Family Models for details. Customer is responsible for engineering analysis to confirm pole and fixture compatibility for all applications. Refer to installation instructions IB500002EN and pole white paper WP513001EN for additional support information. Only product configurations with these designated prefixes are built to be compliant with the Buy American Act of 1933 (BAA) or Trade Agreements Act of 1979 (TAA), respectively. Please refer to DOMESTIC PREFERENCES website for more information. Components shipped separately may be separately analyzed under domestic preference requirements. Standard 4000K CCT and 70CRI. 480V not to be used with ungrounded or impedance grounded systems. DuraVolt drivers feature added protection from power quality issues such as loss of neutral, transients and voltage fluctuations. Visit www.signify.com/duravolt for more information. House Side Shield not suitable with T5 distribution. Not available with PRV-C60 lumen package. Not available with PRV-C60 lumen package. Not available with PRV-P-C25 lumen package. Coastal construction finish salt spray tested to over 5,000-hours per ASTM B117, with a scribe rating of 9 per ASTM D1654. If DuraVolt (DV) is specified, use a photocontrol that matches the input voltage used. Controls system is not available in combination with a photocontrol receptacle (PR & PER7) or another controls system (MS or SPB). Option not available with DuraVolt (DV) voltage option. Utilizes the Wattstopper sensor FSP-211. Sensor color white unless specified otherwise via PDR. To field-configure, order FSIR-100 accessory separately. Utilizes the Wattstopper sensor FSP-3XX series. Sensor color determined by product finish. See Sensor Color Reference Table. Field-configures via mobile application. See Controls section for details. Sensor passive infrared (PIR) may be overly sensitive when operating below -20°C (-4°F). For the device to be field-configurable, requires WAC Gateway components WAC-PoE and WPOE-120 in appropriate quantities. Only compatible with WaveLinX system and software and requires system components to be installed for operation. See website for more WaveLinX application information. Replace XX with sensor color (WH, BZ, or BK). Only available in PRV-XL configurations C75, C100, C125, C150, or C175. Not available with 347V, 480V, DV, or HA options. Replace XX with paint color. For BAA or TAA requirements, Accessories sold separately will be separately analyzed under domestic preference requirements. Consult factory for further information. Not for use with PRV-XL or PRV-M configurations. Only for use with PRV. Not applicable to PRV-M, PRV-XL, or PRV-P. Must order one per optic/LED when ordering as a field-installable accessory (1, 2, 4, 6 or 9). This tool enables adjustment to Motion Sensor (MS) parameters including high and low modes, sensitivity, time delay, cutoff and more. Consult your lighting representative for more information. Requires 7-PIN NEMA twistlock photocontrol receptacle (PR & PER7) option. The WOLC-7 cannot be used in conjunction with other controls systems (MS or LWR). Operates on 120-347V input voltages. Only for use with PRV-M configurations. Only for use with PRV-XL configurations. Fixed for PRV-M. Cannot be used with PR7 or other motion response control options Only product configurations with these prefixes are built to be compliant with the Buy American Act of 1933 (BAA) or the Build America Buy America Act (BABA). BABA is the minimum Government compliance requirement for the Build America Buy America standards which is part of the Infrastructure and Investment Jobs Act (IIJA). Individual Government Agencies may have more stringent compliance standards. Please refer to the DOMESTIC PREFERENCES website or consult the CLS Domestic Preferences team for more information. Components shipped separately may be separately analyzed under domestic preference requirements. 							

Stock Ordering Information

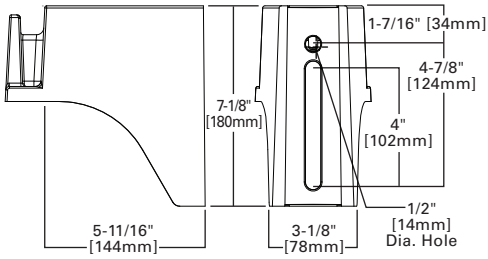
Product Family ¹	Light Engine	Voltage	Distribution
PRVS=Prevail	C15=(1 LED) 7,100 Nominal Lumens C25=(2 LEDs) 13,100 Nominal Lumens C40=(2 LEDs) 17,100 Nominal Lumens C60=(2 LEDs) 20,000 Nominal Lumens	UNV=Universal (120-277V) 347=347V ²	T3=Type III T4=Type IV
PRVS-XL=Prevail XL	C75=(4 LED) 26,100 Nominal Lumens C100=(4 LED) 31,000 Nominal Lumens C125=(4 LED) 36,000 Nominal Lumens C150=(6 LED) 41,100 Nominal Lumens C175=(6 LED) 48,600 Nominal Lumens		
<p>NOTES:</p> <ol style="list-style-type: none"> All stock configurations are standard 4000K/70CRI, bronze finish, and include the standard versatile mounting arm. Only available in PRVS configurations C15, C25, C40 or C60. 			

Mounting Details

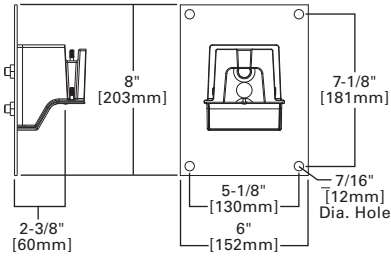
SA=QM Pole Mount Arm (PRV & PRV-P)



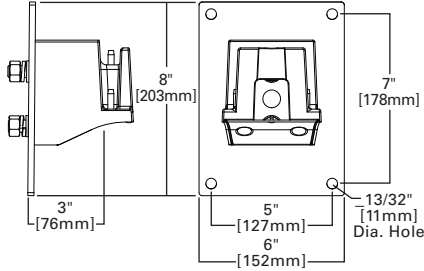
SA=QM Pole Mount Arm (PRV-XL)



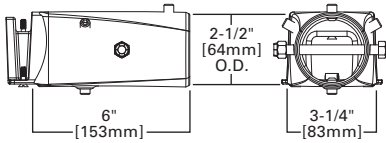
WM=QM Wall Mount Arm (PRV & PRV-P)



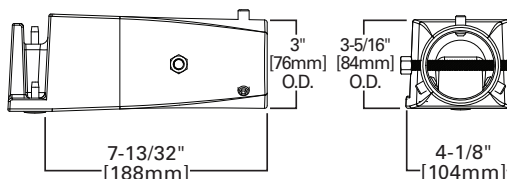
WM=QM Wall Mount Arm (PRV-XL)



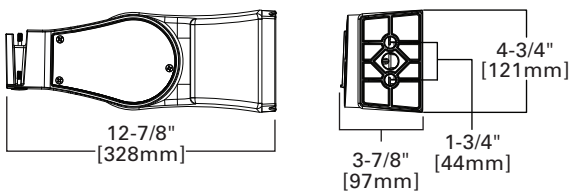
MA=QM Mast Arm (PRV & PRV-P)



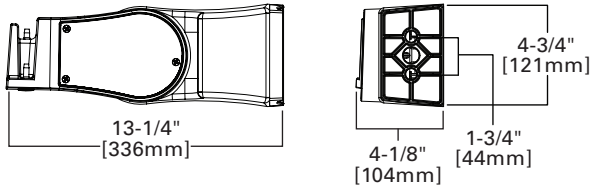
MA=QM Mast Arm (PRV-XL)



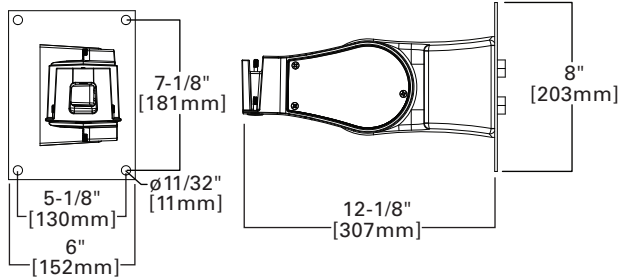
ADJA=Adjustable Arm Pole Mount (PRV & PRV-P)



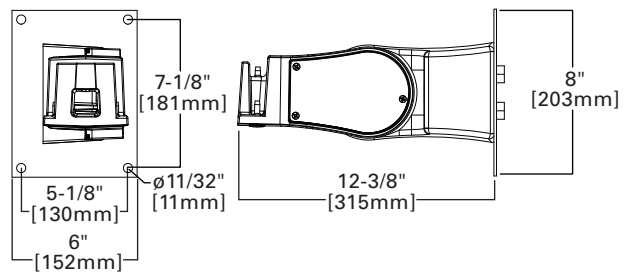
ADJA=Adjustable Arm Pole Mount (PRV-XL)



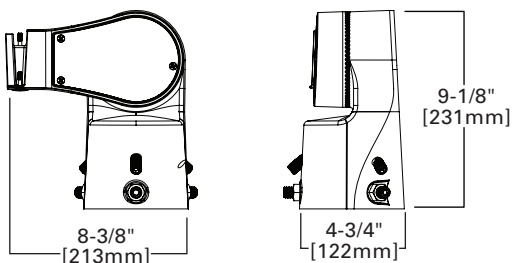
ADJA-WM=Adjustable Arm Wall Mount (PRV & PRV-P)



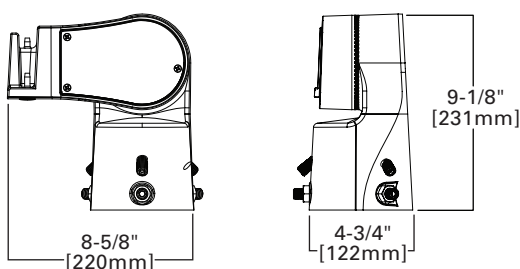
ADJA-WM=Adjustable Arm Wall Mount (PRV-XL)



ADJS=Adjustable Slipfitter 3 (PRV & PRV-P)

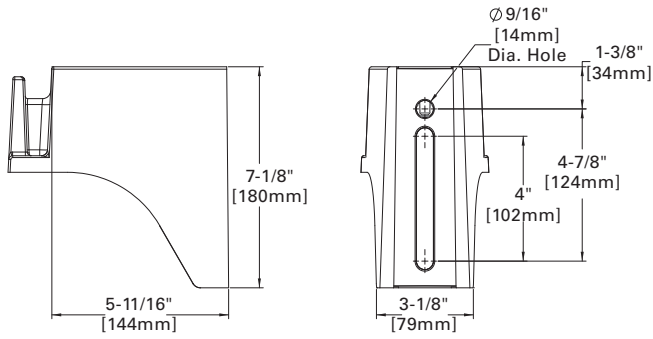


ADJS=Adjustable Slipfitter 3 (PRV-XL)

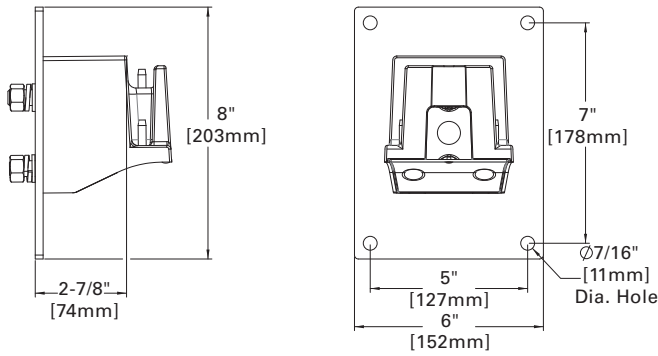


Mounting Details

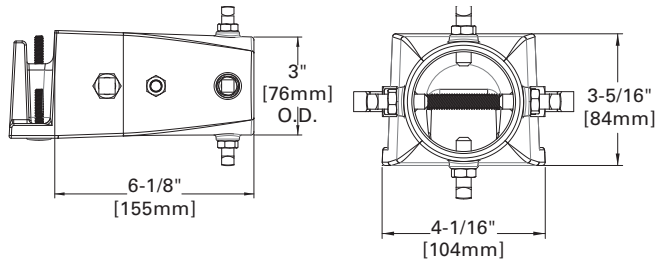
SA=QM Pole Mount Arm (PRV-M)



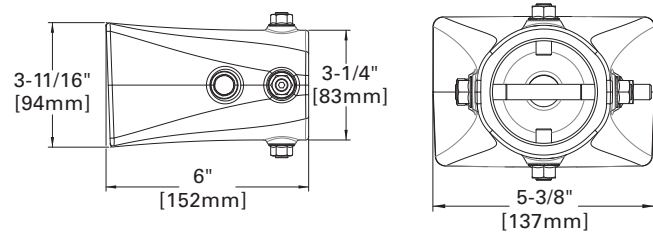
WM=QM Wall Mount Arm (PRV-M)



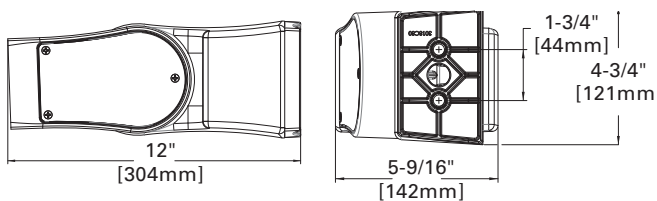
MA=QM Mast Arm (PRV-M)



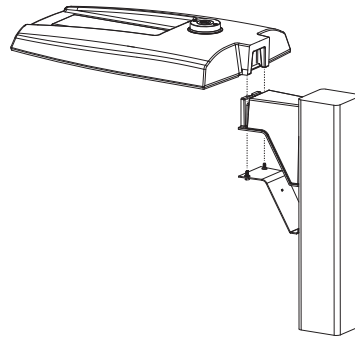
FMA=Fixed Mast Arm (PRV-M)



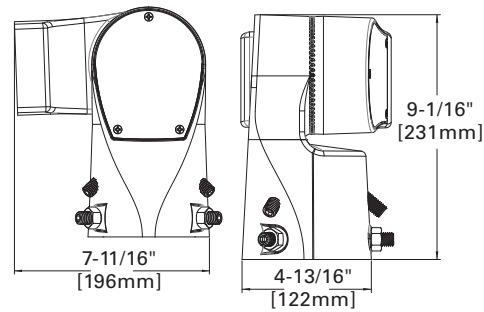
DM=Direct Pole Mount Arm (PRV-M)



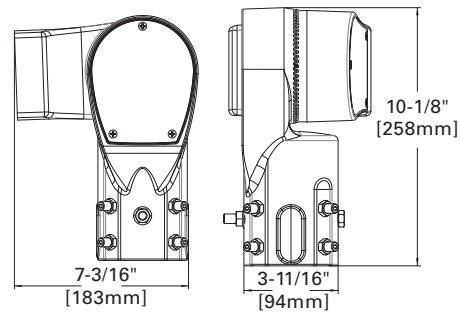
Versatile Mount System



ADJS=Adjustable Slipfitter (PRV-M)



SP2=Adjustable Slipfitter 2-3/8\" (PRV-M)



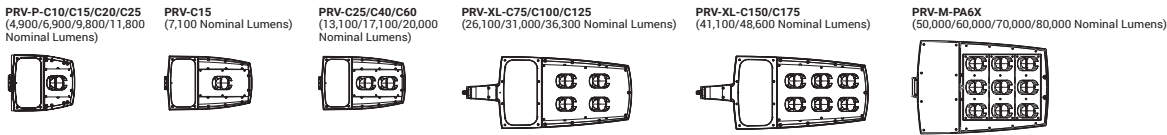
Mounting Details

Mounting Configurations and EPAs

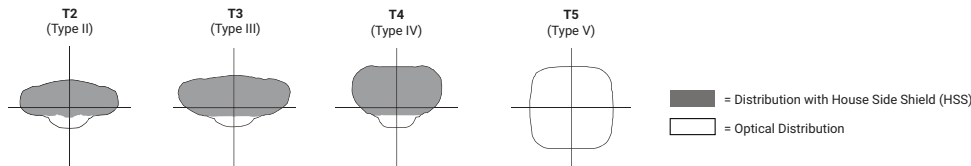
Housing Size	Tilt Angle (Degrees)	Arm Mount Single	Arm Mount 2 @ 180°	Arm Mount 2 @ 90°	Arm Mount 3 @ 90°	Arm Mount 4 @ 90°
Prevail Petite	0°	0.54	1.08	0.84	1.38	1.38
	60°	1.68	1.85	2.42	3.15	3.30
Prevail	0°	0.92	1.35	1.42	1.63	1.63
	60°	2.20	2.40	3.05	3.88	4.07
	60° + Full Drop Visor	2.20	2.40	3.25	4.28	4.47
Prevail XL	0°	1.12	2.25	2.13	2.52	2.52
	60°	3.99	4.30	5.26	6.51	6.79
	60° + Full Drop Visor	3.99	4.30	5.59	7.17	7.49
Prevail Maxx	0°	1.28	2.56	1.7	2.69	2.69
	60°	5.09	5.52	6.34	7.49	7.81

NOTE: For 2 PRV's mounted at 90°, requires minimum 3" square or 4" round pole for fixture clearance. For 2 PRV-XL's mounted at 90°, requires minimum 4" square or round pole for fixture clearance. Customer is responsible for engineering analysis to confirm pole and fixture compatibility for applications.

Optical Configurations



Optical Distributions



Product Specifications

Optics

- Precision molded polycarbonate optics

Electrical

- 40°C minimum operating temperature
- 40°C maximum operating temperature
- >.9 power factor
- <20% total harmonic distortion
- Class 1 electronic drivers have expected life of 100,000 hours with <1% failure rate
- 0-10V dimming driver is standard with leads external to the fixture
- Standard MOV surge protective device designed to withstand 10kV of transient line surge

Physical Characteristics

- Single-piece die-cast aluminum housing
- Tethered die-cast aluminum door
- Five-stage super TGIC polyester powder coat paint, 2.5 mil nominal thickness
- Finish is compliant to 3,000 hour salt spray standard (per ASTM B117)
- Versatile, patented, standard mount arm accommodates multiple drill patterns ranging from 1-1/2" to 4-7/8" (Type M drilling recommended for new installations)
- A knock-out on the standard mounting arm enables round pole mounting
- Adjustable pole and wall mount arms adjust in 5° increments from 0° to 60°; Downward facing orientation only (Type N drilling required for ADJA mount)
- Adjustable slipfitter arm adjusts in 5° increments from -5° to 85°; Downward facing orientation only

Controls

- Luminaire available with the field adjustable dimming controller (FADC) to manually adjust wattage and reduce the total lumen output and light levels; Comes pre-set to the highest position at the lumen output selected

Compliance

- DarkSky approved for 3000K CCT and warmer, with mounting options less than 10° of tilt.
- DLC and DLC Premium listed – visit designlights.org to confirm listed variations
- Prevail and Prevail Petite: 3G vibration rated
- Prevail XL Mast Arm: 3G vibration rated
- Prevail XL Standard Arm: 1.5G vibration rated
- Adjustable Arms: 1.5G vibration rated
- BAA domestic preference option meets BAA requirements. See [DOMESTIC PREFERENCES](http://www.cooperlighting.com/legal) website or consult the CLS Domestic Preferences team for more information
- FHWA and FTA agencies are utilizing their BAA rules for BABA compliance. Cooper's products with a BAA designation are manufactured in the US and utilize a BAA COTS exemption rule for compliance. To verify a configured product with specific accessories and options meet BABA Domestic Preference Requirements; submit this catalog number to Cooper Lighting Quotation team for validation by our Engineering and Manufacturing teams. Please refer to the [DOMESTIC PREFERENCES](http://www.cooperlighting.com/legal) website or consult the CLS Domestic Preferences team for more information. Components shipped separately may be separately analyzed under domestic preference requirements.

Typical Applications

- Parking lots
- Walkways
- Roadways
- Building Areas

Shipping Data

- Prevail Petite: 18 lbs. (7.94 kgs.)
- Prevail: 20 lbs. (9.09 kgs.)
- Prevail XL: 45 lbs. (20.41 kgs.)
- Prevail Maxx: 49 lbs. (22.23 kgs.)

Warranty

- Five year limited warranty, consult website for details. www.cooperlighting.com/legal

Energy and Performance Data

[View PRV-P IES files](#)

[View PRV IES files](#)

[View PRV-XL IES files](#)

Power and Lumens

Product Family	Prevail Petite				Prevail				Prevail XL					Prevail Maxx				
Light Engine	C10	C15	C20	C25	C15	C25	C40	C60	C75	C100	C125	C150	C175	C200	C225	C250	C275	
Power (Watts)	35	49	73	94	52	96	131	153	176	217	264	285	346	346	418	487	588	
Input Current @ 120V (A)	0.29	0.41	0.61	0.79	0.43	0.80	1.09	1.32	1.50	1.84	2.21	2.38	2.92	2.89	3.49	4.06	4.90	
Input Current @ 277V (A)	0.13	0.18	0.27	0.35	0.19	0.35	0.48	0.57	0.66	0.82	0.97	1.04	1.25	1.26	1.51	1.72	2.06	
Input Current @ 347V (A)	0.11	0.16	0.23	0.29	0.17	0.30	0.41	0.48	0.54	0.66	0.79	0.84	1.02	1.00	1.21	1.40	1.70	
Input Current @ 480V (A)	0.08	0.12	0.17	0.22	0.12	0.22	0.30	0.35	0.40	0.48	0.57	0.62	0.74	0.73	0.88	1.00	1.21	
Distribution¹																		
Type II	4000K Lumens	4,775	6,717	9,542	11,521	7,123	13,205	17,172	20,083	26,263	31,231	36,503	41,349	48,876	50,349	59,444	68,447	79,322
	BUG Rating	B1-U0-G1	B1-U0-G1	B2-U0-G2	B2-U0-G2	B2-U0-G2	B2-U0-G2	B3-U0-G3	B3-U0-G3	B3-U0-G3	B3-U0-G4	B4-U0-G4	B4-U0-G4	B4-U0-G5	B4-U0-G5	B4-U0-G5	B4-U0-G5	B5-U0-G5
	Lumens per Watt	138	137	131	122	137	138	131	131	149	144	138	145	141	146	142	141	135
	3000K Lumens ¹	4,869	6,595	9,369	11,312	6,994	12,965	16,860	19,718	25,786	30,664	35,840	40,598	47,989	49,437	58,368	67,208	77,886
Type III	4000K Lumens	4,782	6,727	9,556	11,538	7,111	13,183	17,144	20,050	26,120	31,061	36,304	41,124	48,610	50,162	59,223	68,193	79,027
	BUG Rating	B1-U0-G2	B1-U0-G2	B2-U0-G3	B2-U0-G3	B1-U0-G2	B2-U0-G3	B3-U0-G4	B3-U0-G4	B3-U0-G5	B3-U0-G5	B3-U0-G5	B4-U0-G5	B4-U0-G5	B4-U0-G5	B4-U0-G5	B5-U0-G5	B5-U0-G5
	Lumens per Watt	138	137	131	123	137	137	131	131	148	143	138	144	140	145	142	140	135
	3000K Lumens ¹	4,695	6,605	9,383	11,329	6,982	12,944	16,832	19,686	25,646	30,497	35,645	40,377	47,727	49,254	58,151	66,958	77,596
Type IV	4000K Lumens	4,880	6,865	9,752	11,774	7,088	13,140	17,087	19,984	26,098	31,035	36,274	41,089	48,569	50,575	59,711	68,754	79,678
	BUG Rating	B1-U0-G2	B1-U0-G2	B2-U0-G3	B2-U0-G3	B1-U0-G3	B2-U0-G4	B2-U0-G4	B3-U0-G5	B3-U0-G5	B3-U0-G5	B3-U0-G5	B3-U0-G5	B4-U0-G5	B4-U0-G5	B4-U0-G5	B4-U0-G5	B5-U0-G5
	Lumens per Watt	141	140	134	125	136	137	130	131	148	143	137	144	140	146	143	141	136
	3000K Lumens ¹	4,792	6,740	9,575	11,561	6,959	12,901	16,777	19,621	25,624	30,471	35,615	40,343	47,687	49,659	58,630	67,510	78,235
Type V	4000K Lumens	5,067	7,128	10,126	12,226	7,576	14,045	18,264	21,360	28,129	33,450	39,097	44,287	52,349	53,531	63,201	72,773	84,335
	BUG Rating	B3-U0-G2	B3-U0-G2	B4-U0-G3	B4-U0-G3	B3-U0-G3	B4-U0-G3	B4-U0-G4	B5-U0-G4	B5-U0-G5	B5-U0-G5	B5-U0-G5	B5-U0-G5	B5-U0-G5	B5-U0-G5	B5-U0-G5	B5-U0-G5	B5-U0-G5
	Lumens per Watt	146	145	139	130	146	146	139	140	160	154	148	155	151	155	151	150	144
	3000K Lumens ¹	4,975	6,999	9,942	12,004	7,438	13,790	17,932	20,972	27,618	32,843	38,387	43,483	51,398	52,562	62,057	71,455	82,808

NOTES:
1. For 3000K, 5000K or HSS data, refer to published IES files.

Lumen Maintenance

Configuration	TM-21 Lumen Maintenance (50,000 Hours)	Theoretical L70 (Hours)
Prevail and Prevail Petite at 25°C	91.30%	> 194,000
Prevail and Prevail Petite at 40°C	87.59%	> 134,000
Prevail XL at 25°C	91.40%	> 204,000
Prevail XL at 40°C	89.41%	> 158,000
Prevail Maxx at 25°C	91.40%	> 204,000
Prevail Maxx at 40°C	89.41%	> 158,000

Lumen Multiplier

Ambient Temperature	Lumen Multiplier
10°C	1.02
15°C	1.01
25°C	1.00
40°C	0.99

FADC Settings

FADC Position	Lumen Multiplier
1	25%
2	46%
3	55%
4	62%
5	72%
6	77%
7	82%
8	85%
9	90%
10	100%

Note: +/-5% typical value

Sensor Color Reference Table (SPBx)

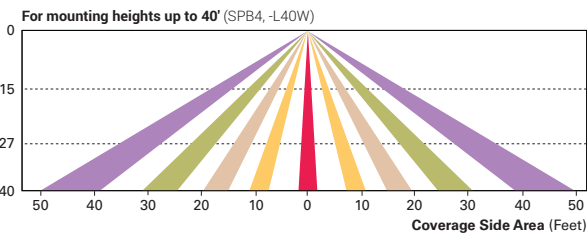
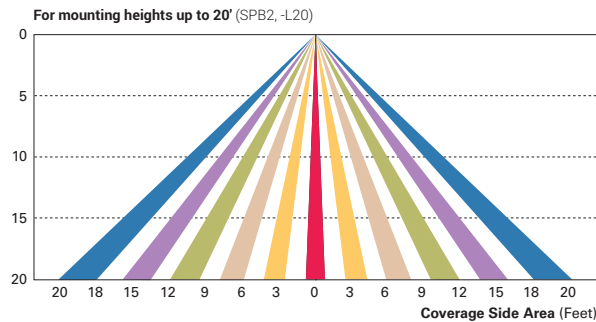
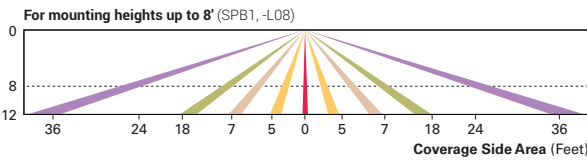
Housing Finish	Sensor Color
AP=Grey	Grey
BZ=Bronze	Bronze
BK=Black	Black
DP=Dark Platinum	Grey
GM=Graphite Metallic	Black
WH=White	White

Control Options

0-10V This fixture provides 0-10V dimming wire leads for use with a lighting control panel or other control method.

Photocontrol (PR and PR7) Photocontrol receptacles provide a flexible solution to enable “dusk-to-dawn” lighting by sensing light levels. Advanced control systems compatible with NEMA 7-PIN standards can be utilized with the PR7 receptacles.

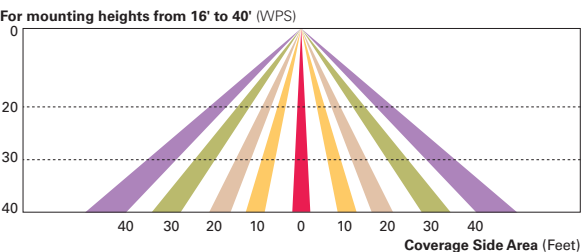
Dimming Occupancy Sensor (SPB, MS/DIM-LXX) These sensors are factory installed in the luminaire housing. When the SPB or MS/DIM sensor options are selected, the luminaire will dim down after five minutes of no activity detected. When activity is detected, the luminaire returns to full light output. These occupancy sensors include an integral photocell for “dusk-to-dawn” control or “daylight harvesting.” Factory default is enabled for the MS sensors and disabled for the SPB. SPB motion sensors require the Sensor Configuration mobile application by Wattstopper to change factory default dimming level, time delay, sensitivity and other parameters. Available for iOS and Android devices. The SPB sensor is factory preset to dim down to approximately 10% power with a time delay of five minutes.



WaveLinx Wireless Control and Monitoring System Available in 7-PIN or 4-PIN configurations, the WaveLinx Outdoor control platform operates on a wireless mesh network based on IEEE 802.15.4 standards enabling wireless control of outdoor lighting. At least one Wireless Area Controller (WAC) is required for full functionality and remote communication (including adjustment of any factory pre-sets).

WaveLinx Outdoor Control Module (WOLC-7P-10A) A photocontrol that enables astronomic or time-based schedules to provide ON, OFF and dimming control of fixtures utilizing a 7-PIN receptacle. The out-of-box functionality is ON at dusk and OFF at dawn.

WaveLinx Wireless Sensor (WPS2 and WPS4) These outdoor sensors offer passive infrared (PIR) occupancy sensing and a photocell for closed-loop daylight sensing. These sensors are factory preset to dim down to approximately 50 percent power after 15 minutes of no activity detected, and the photocell for “dusk-to-dawn” control is default enabled. A variety of sensor lenses are available to optimize the coverage pattern for mounting heights from 7-40'.



LEDVANCE LUMINAIRES

DUAL SELECTABLE

WALL PACK – CUT OFF

LEDVANCE LUMINAIRE SPECIFICATION DATA

Catalog #	WALPAKCP50100UNHD8SC2ADJBZP	Comments
Project	Premier Golf	21' mounting height
Type	OW2/OW3	
Prepared by	Pieper Electric	

PERFORMANCE CLASS™



APPLICATION

The Performance Class Dual Selectable Cut Off Wall Pack boasts both wattage and CCT selectability to cover all your needs. It keeps the same form factor as the old technology for an easy LED upgrade without all the patchwork. With 12 different lumen packages in only 4 SKUs, this full cut off Wall Pack has all your projects covered. It also comes with an integrated photocell and offers plug and play field installable sensors.

BENEFITS & FEATURES

- Up to 150 LPW
- Selectable color temperature: 3000K/4000K/5000K and the exclusive warm spectrum 1800K/2200K/2700K
- CRI>80
- Selectable wattage and lumens:
 - 20/30/35W | 3,000/4,500/5,250 lm
 - 40/50/60W | 6,000/7,500/9,000 lm
 - 65/80/100W | 9,750/12,000/15,000 lm
 - 120/130/150W | 18,000/19,500/22,500 lm
- Type III full cut off distribution
- DLC 5.1 Premium Listing assures high energy efficiency and qualifies this product for utility rebates
- Ready for field installable standalone sensors, no wiring required
- Integrated photocell
- UV stabilized polycarbonate lenses, vandal resistant
- Emergency Battery Backup options



LEDLUM197R4 4-25

ELECTRICAL

- 120-347 VAC
- Power Factor > 0.9
- THD < 20%
- Dimmable 0-10V
- Surge protection 4 kV

RATED LIFE

- 100,000 hours (L₇₀)
@ 25°C ambient

CERTIFICATIONS & LISTINGS

- cULus listed to UL1598 standards
- RoHs
- FCC
- IP65, wet location rated
- DLC 5.1 Premium
- Dark Sky compliant
(when used at <3000K)

OPERATING TEMPERATURE

- -40°F to +122°F (-40°C to +50°C)
- EMBB: +41°F to +122°F (+5°C to +50°C)

WARRANTY

- 5 year
- NLB Trusted Warranty Program

INSTALLATION

- Wall mount



INSTALLATION
GUIDE

ORDERING GUIDE

WALPAKC	9A	SXXX	XXX	D	8	SCXX	BZ	X
PRODUCT NAME	GENERATION	WATTAGE	VOLTAGE	DIMMING	CRI	COLOR TEMPERATURE	COLOR/FINISH	OPTIONS
WALPAKC = Wall Pack Cutoff	9A = Generation 9A	S035 = 20/30/35W S060 = 40/50/60W S100 = 65/80/100W S150 = 120/130/150W	UNH = 120-347V HUV = 277-480V	D = 0-10V Dimming	80 = >80 CRI	SC15 = 1800/2200/2700K SC2 = 3000/4000/5000K	BZ = Bronze	P = Photocell E = Emergency

ORDERING INFORMATION

ITEM #	ORDERING ABBREVIATION	WATTAGE (W)	INPUT VOLTAGE (V)	DIM. (V)	CRI	COLOR TEMP (CCT)	TOTAL FIXTURE LUMENS (LM)	DLC	LPW	OPTIONS	BUG RATING
66180	WALPAKC9AS035UNHD8SC15BZP	20/30/35	120-347	0-10	>80	1800/2200 /2700K	2600/3900 /4550	-	Up to 130	Photocell	B2U0G1
65856	WALPAKC9AS035UNHD8SC2BZP	20/30/35	120-347	0-10	>80	3000/4000 /5000K	3000/4500 /5250	5.1 Prem	Up to 150	Photocell	B2U0G1
65860	WALPAKC9AS035UNHD8SC2BZPE	20/30/35	120-347	0-10	>80	3000/4000 /5000K	3000/4500 /5250	5.1 Prem	Up to 150	Photocell/ Emergency	B2U0G1
66181	WALPAKC9AS060UNHD8SC15BZP	40/50/60	120-347	0-10	>80	1800/2200 /2700K	5200/6500 /7800	-	Up to 130	Photocell	B2U0G1
65857	WALPAKC9AS060UNHD8SC2BZP	40/50/60	120-347	0-10	>80	3000/4000 /5000K	6000/7500 /9000	5.1 Prem	Up to 150	Photocell	B2U0G1
65861	WALPAKC9AS060UNHD8SC2BZPE	40/50/60	120-347	0-10	>80	3000/4000 /5000K	6000/7500 /9000	5.1 Prem	Up to 150	Photocell/ Emergency	B2U0G1
66182	WALPAKC9AS100UNHD8SC15BZP	65/80/100	120-347	0-10	>80	1800/2200 /2700K	8450/10,400 /13,000	-	Up to 130	Photocell	B3U0G2
65858	WALPAKC9AS100UNHD8SC2BZP	65/80/100	120-347	0-10	>80	3000/4000 /5000K	9750/12,000 /15,000	5.1 Prem	Up to 150	Photocell	B3U0G2
65868	WALPAKC9AS100HUV8SC2BZP	65/80/100	277-480	0-10	>80	3000/4000 /5000K	9750/12,000 /15,000	5.1 Prem	Up to 150	Photocell	B3U0G2
66183	WALPAKC9AS150UNHD8SC15BZP	120/130/150	120-347	0-10	>80	1800/2200 /2700K	15,600/16,900 /19,500	-	Up to 130	Photocell	B4U0G2
65859	WALPAKC9AS150UNHD8SC2BZP	120/130/150	120-347	0-10	>80	3000/4000 /5000K	18,000/19,500 /22,500	5.1 Prem	Up to 150	Photocell	B4U0G2
65869	WALPAKC9AS150HUV8SC2BZP	120/130/150	277-480	0-10	>80	3000/4000 /5000K	18,000/19,500 /22,500	5.1 Prem	Up to 150	Photocell	B4U0G2

PHYSICAL INFORMATION

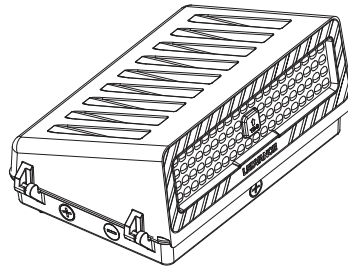
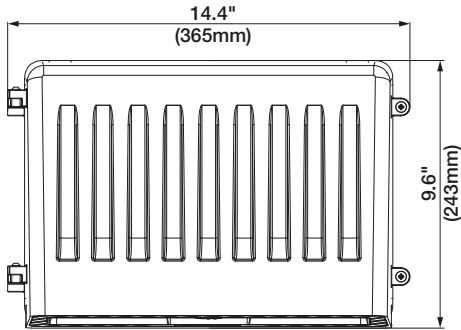
LUMINAIRE DESCRIPTION	LENGTH IN (MM)	WIDTH IN (MM)	HEIGHT IN (MM)	WEIGHT LB (KG)
35W and 60W	14.4 (365)	6.9 (175)	9.6 (243)	6.2 (2.8)
100W and 150W	14.4 (365)	9.5 (240)	9.6 (243)	7.9 (3.6)

WATTAGE COMPARISON

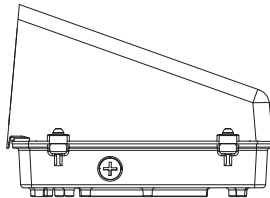
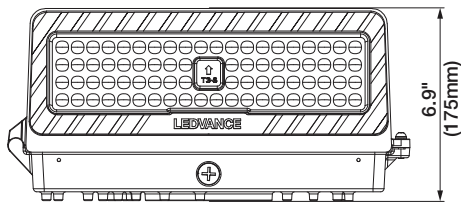
LED SOURCE WATTAGE/LUMENS	REPLACES TRADITIONAL SOURCE	ENERGY SAVINGS
35W/5,250lm	MH/HPS 100W	65%
60W/9,000lm	MH/HPS 250W	76%
100W/15,000lm	MH/HPS 400W	75%

35W/60W

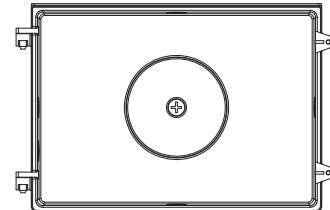
Top View



Front View



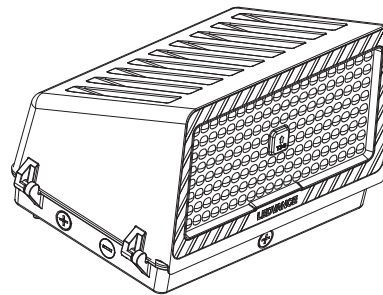
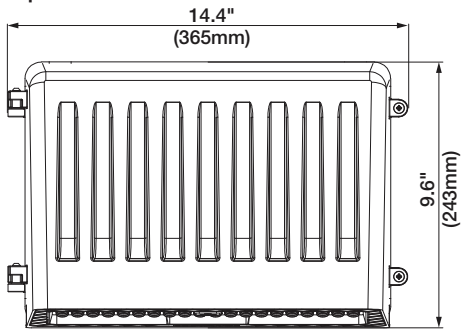
Side View



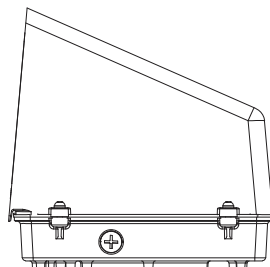
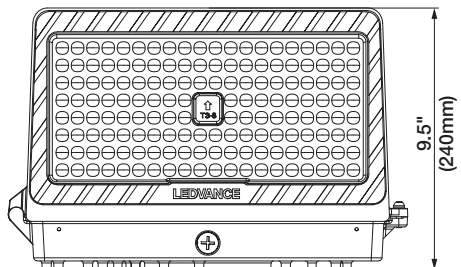
Back View

100W/150W

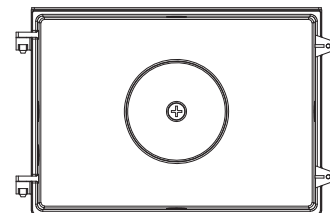
Top View



Front View



Side View



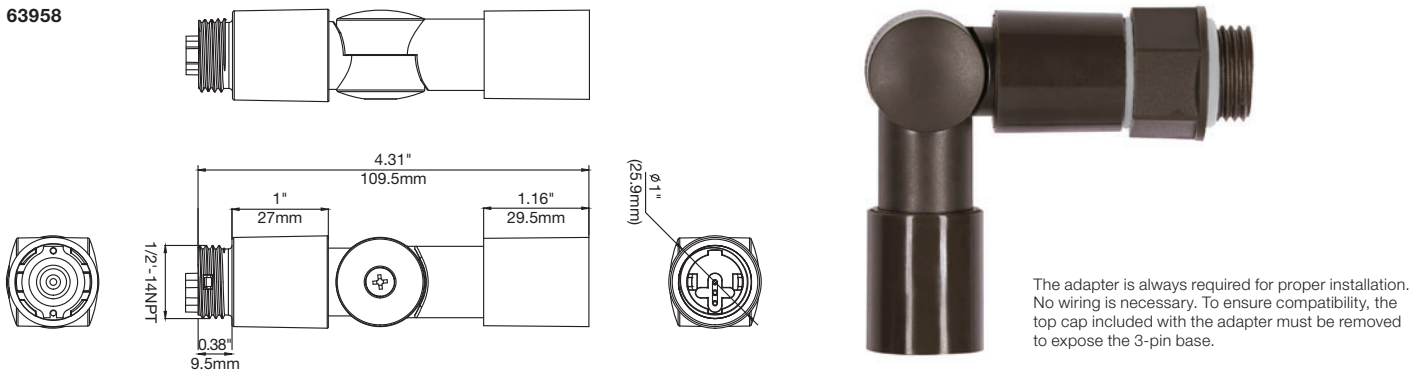
Back View

ACCESSORIES

ITEM #	ORDERING ABBREVIATION	ITEM DESCRIPTION
Sensors		
63958	WALPAKN9ASENSORADAPTOR	Daylight/Motion Sensor Adaptor – Adaptor is required to install the sensor
62664	HIGHBAYPIRMOTIONDAYSENSOR2	Field installable PIR Motion/Daylight Sensor, IP65, Max. mounting height 39ft, White
65622*	HIGHBAYMOTIONDAYSENSOR	Field installable Microwave Motion/Daylight Sensor, IP65, Max. mounting height 49ft, White
65623	REMOTE/MOTIONDAY/001	Remote control for Motion/Daylight Sensors – Remote is required to change default settings

*Microwave sensors are not recommended for outdoor use. Microwave sensors are highly sensitive. Metal, glass, windows, industrial fans, and large obstructions can all generate false triggering. Based on installation, PIR sensor may be a better option, although extreme heat or cold can reduce sensitivity or cause false triggers. For additional application notes, please go to: <https://assets3.ledvanceus.com/media/resource/original/asset-13239171>

SENSOR ADAPTER



BATTERY INFORMATION

TYPE	STANDBY POWER	CHARGING TIME	CHARGING POWER	POWER IN EMERGENCY MODE	DISCHARGE TIME
LiFePO4	1.5W max	24h min	4W max	8W	90 min

OPTIONAL MOTION/DAYLIGHT SENSOR DEFAULT SETTINGS

Detection area	100%
Hold time – Time fixtures stays at 100% after last motion before dimming	10 minutes
Daylight threshold – Light level above which lights will remain off	50 Lux
Stand-by period – Time light remains dimmed before shutting off	60 minutes
Stand-by dimming – Dimming level of light during the stand-by period	30%



**MOTION SENSOR
(62664)**



**REMOTE
(65623)**

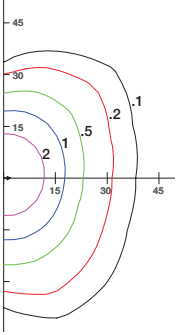


SPEC SHEET

PHOTOMETRIC INFORMATION

HORIZONTAL ISO FOOT-CANDLE PLOT

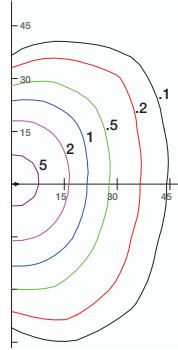
20W Fixture, Mounted at 15' mounting height



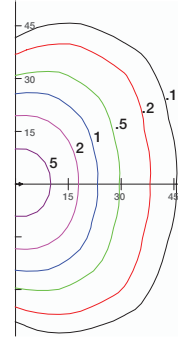
30W Fixture, Mounted at 15' mounting height



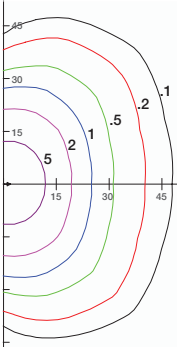
35W Fixture, Mounted at 15' mounting height



40W Fixture, Mounted at 15' mounting height



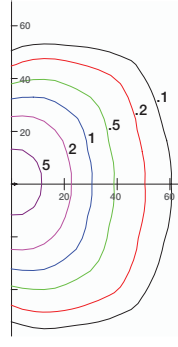
50W Fixture, Mounted at 15' mounting height



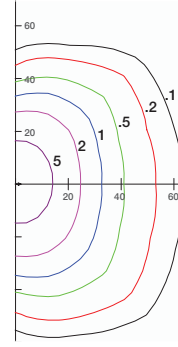
60W Fixture, Mounted at 15' mounting height



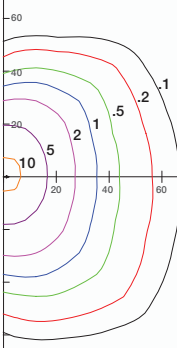
65W Fixture, Mounted at 20' mounting height



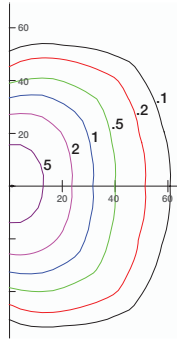
80W Fixture, Mounted at 20' mounting height



100W Fixture, Mounted at 20' mounting height



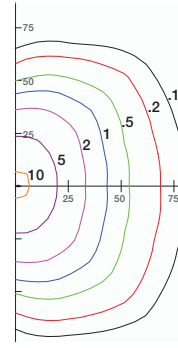
120W Fixture, Mounted at 25' mounting height



130W Fixture, Mounted at 25' mounting height



150W Fixture, Mounted at 25' mounting height



MOUNTING HEIGHT (FT)	10	12	15	18	20	22
MULTIPLIER	2.25	1.56	1	0.69	0.56	0.46
MOUNTING HEIGHT (FT)	12	15	18	20	22	25
MULTIPLIER	2.78	1.78	1.23	1	0.83	0.64
MOUNTING HEIGHT (FT)	15	20	22	25	30	35
MULTIPLIER	2.78	1.56	1.29	1	0.69	0.51

- Multiply the footcandle levels in the diagram according to the desired installation height
- Each tick on the diagram represents a multiple of the mounting height from the fixture



LEDVANCE LLC
181 Ballardvale Street, Suite 203
Wilmington, MA 01887 USA
Phone 1-800-LIGHTBULB (1-800-544-4828)
www.ledvanceUS.com

LEDVANCE is a registered trademark.
All other trademarks are those of their respective owners.
Specifications subject to change without notice.



SCAN TO FOLLOW US
ON SOCIAL MEDIA

WME

LED Emergency Wall Pack

Due to continuous product improvements, specification and/or equipment updates may change without notice.



(Images are shown for illustration purposes only)

WME Emergency Wall Pack

The **WME** has your outdoor emergency lighting covered as a cold-location egress wall pack that reduces night sky pollution with a cutoff distribution. Put your maintenance at ease as the WME features self-testing / self-diagnostics for continuous performance. The selectable CCT output give you a SKU reducer with options and is your go to source for emergency wall pack lighting. We've got you covered.

Catalog Number	Description	Lumens	Watts	CCT	Voltage
WME 12 G1 FSK	WME Emergency Wall Pack, 15 Watt, 3 Selectable CCT, 80° Distribution	1250 Lm (Standard) 400 Lm (Emergency)	11 W Standby, 16 W Max	Selectable 3000K - 5000K	120V - 277V

ORDERING GUIDE

Example: **WME 12 G1 FSK**

Fixture Type	Selectable Lumen Output	Generation	Voltage	Selectable CCT	Finish
WME	12	G1		FSK	
• WME Emergency Wall Pack	• 12 1,250 Lm / 11 W (Standard) 400 Lm (Emergency)	• G1 First Generation	• BLANK 120-277 V	• FSK 3000K 4000K 5000K	• BLANK Dark Bronze

Specifications

Housing

UV treated die-cast casing for outdoor applications.

Ambient Temperature

Suitable for use in -30°C to 50°C (-22°F to 122°F).

Mounting

Wall mount.

Efficacy

Up to 114 lumens per watt.

CCT and CRI

Field selectable: 3000K, 4000K, and 5000K.
CRI 80.

Lumen Output

Standard: 1250 Lm.

Emergency Mode: 400 Lm.

Wattage

Standby 11 W, 16 W Max at battery charge & heater operation.

Warranty

3-year limited warranty. Comprehensive warranty terms can be located on www.slgus.com.

Electrical

Standard 120V - 277V.

Battery

6.4V 1500mAh 18650type LiFePO4 battery.

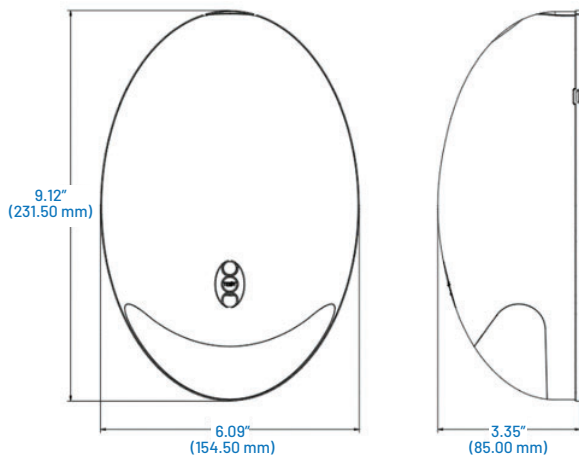
24 hours charge, 90 minute discharge.

Certifications

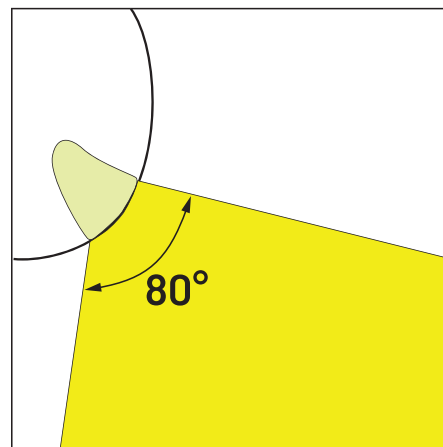
UL Listed for cold locations. FCC compliant. IP65 Rated. IK10 Rated.

Dimensions

WME



Distribution

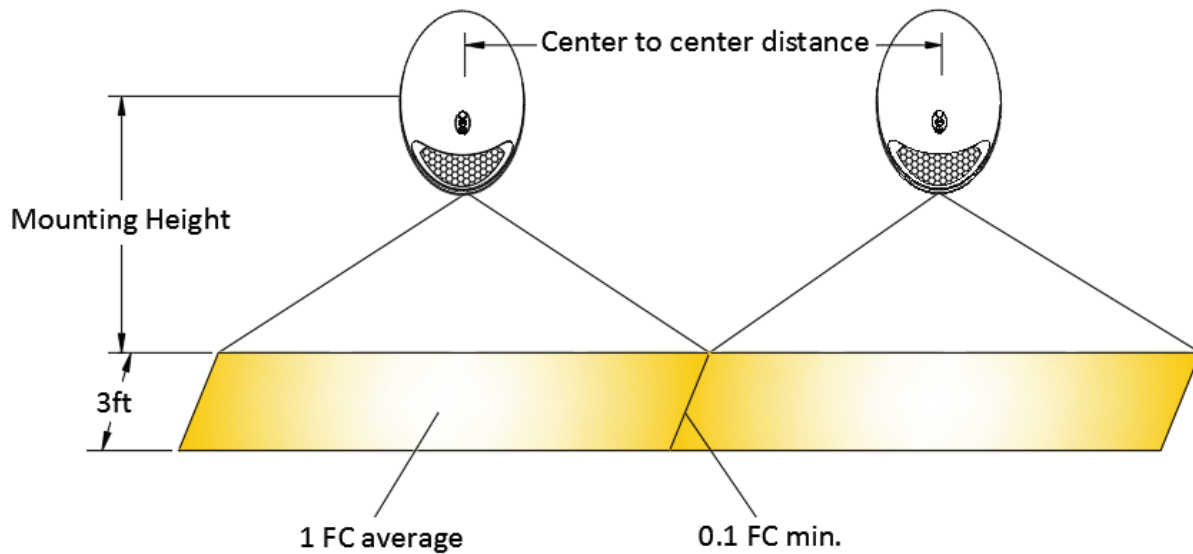
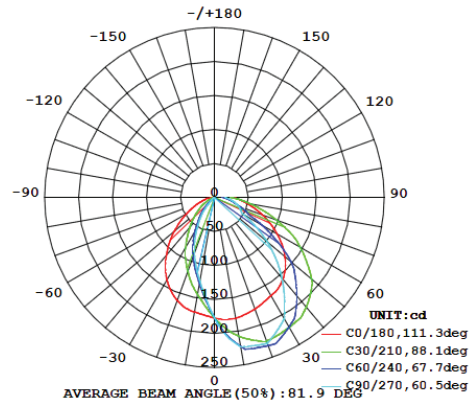


Photometric (Emergency Mode)

WME

Luminous flux (Luminaire): 417 lm
 Luminous flux (Lamps): 417 lm
 Luminaire Wattage: 0.0 W
 Luminaire classification according to CIE: 100
 CIE flux code: 54 82 95 100 100
 Fitting: 1 x **WME G1** (Correction Factor 1.000).

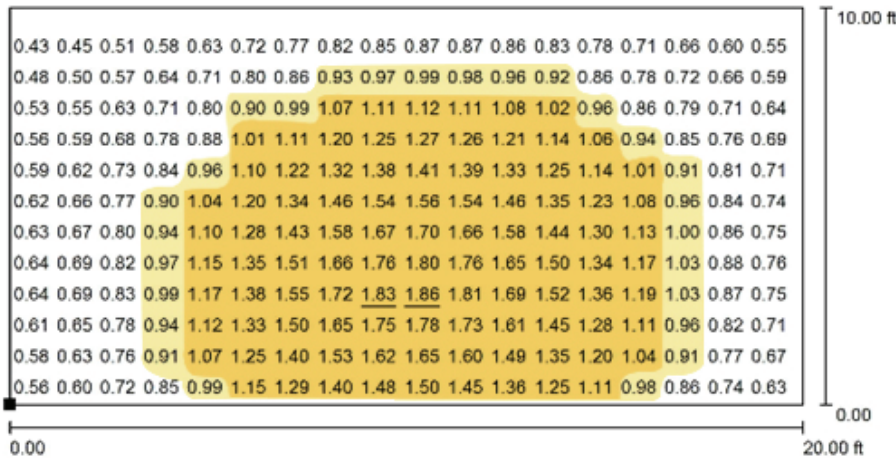
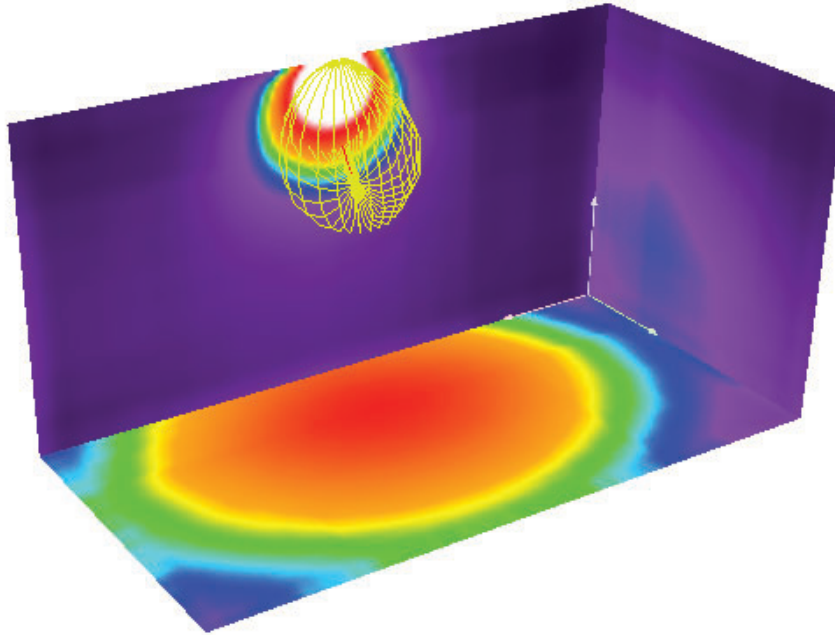
See our luminaire catalog for an image of the luminaire.



NFPA 101 requires 1.0 foot-candle average and 0.1 foot-candle minimum with a 40:1 maximum/minimum ratio. The corridor used is 80 feet long, 9 feet ceiling with a 6 feet wide walkway and 6&3 feet path of egress. The reflectance are 80% ceiling, 50% walls and 20% floors. The fixture mounting height is 7.5 feet.

Model (Emergency Mode)	7.5ft Mount Height	10ft Mount Height
	WME G1 (400 Lm)	6ft Wide corridor 6ft Wide path
	45ft spacing	40ft spacing

Photometric (Emergency Mode) *(Continued)*



Values in Footcandles, Scale 1 : 44

Not all calculated values could be displayed.

Position of surface in room:
Marked point: (0.000 ft, 0.000 ft, 0.000 ft)



Grid: 128 x 64 Points

E_{av} [fc]
1.02

E_{min} [fc]
0.39

E_{max} [fc]
1.87

u0
0.386

E_{min} / E_{max}
0.211



Project: Premier Golf	Type: OD - Soffit
Prepared By: Pieper Electric	Date: 2/23/26

Driver Info		LED Info	
Type	Constant Current	Watts	16/12/9W
120V	.13A	Color Temp	3000/3500/4000/5000K
208V	.08A	Color Accuracy	90 CRI
240V	.07A	L70 Lifespan	50,000 Hours
277V	.06A	Lumens	900 lm
Input Watts	16/12/9W	Efficacy	100

Technical Specifications

Performance

Product Type:

Commercial Downlight

Description:

Wattage and CCT selectable commercial downlights for new construction and retrofit applications.

Wattage Equivalency:

32/18/16W CFL

Input Wattage:

16/12/9W

Lumens:

16W: 3000K @ 1,578lm; 3500K @ 1,658lm; 4000K @ 1,677lm; 5000K @ 1,636lm

12W: 3000K @ 1,128lm; 3500K @ 1,170lm; 4000K @ 1,180lm; 5000K @ 1,167lm

9W: 3000K @ 872lm; 3500K @ 900lm; 4000K @ 907lm; 5000K @ 904lm

Efficacy:

16W: 3000K @ 101lm/W; 3500K @ 106lm/W; 4000K @ 108lm/W; 5000K @ 105lm/W

12W: 3000K @ 105lm/W; 3500K @ 109lm/W; 4000K @ 111lm/W; 5000K @ 109lm/W

9W: 3000K @ 105lm/W; 3500K @ 109lm/W; 4000K @ 110lm/W; 5000K @ 110lm/W

L70 Lifespan:

50,000-Hour LED lifespan based on IES LM-70 results

Electrical

Driver:

Constant Current, Class 2, 60 Hz, 120V-277V, 120V: 0.13A, 208V: 0.08A, 240V: 0.07A, 277V: 0.06A

Dimming Driver:

Driver includes dimming control wiring for 0-10V dimming systems. Requires separate 0-10V DC dimming circuit. Dims down to 10%.

THD:

≤20%

Power Factor:

≥0.9

Dimmable:

Yes, 0-10V dims down to 10%. See Dimmer Compatibility List.

Input Voltage:

120-277V

Operating Frequency:

50/60Hz

Input Current @ 240V (mA):

65mA

Input Current @ 277V (mA):

60mA

Operating Temperature:

-4°F to 104°F (-20°C to 40°C)

Flicker:

≤30%

Color Temperature:

Field Adjustable via dip switch
3000/3500/4000/5000K

LED Characteristics

Color Accuracy (CRI):

>90 CRI

R9 Value:

High color performance with R9 greater than or equal to 50

Color Consistency:

4-step MacAdam Ellipse binning to achieve consistent fixture-to-fixture color

Technical Specifications (continued)**Color Stability:**

LED color temperature is warranted to shift no more than 200K in color temperature over a 5-year period

Color Uniformity:

RAB's range of Correlated Color Temperature follows the guidelines of the American National Standard for Specifications for the Chromaticity of Solid State Lighting (SSL) Products, ANSI C78.377-2017.

Installation**Mounting:**

Recessed

Construction**Size:**

6"

Shape:

Round

Finish:

White

Enclosure Material:

Metal

Trim Style:

Smooth

Lens:

Polycarbonate light diffuser distributes light evenly and smoothly for general lighting applications

Cut Out Template Size:

6 5/16"

IC Rated:

Suitable for direct contact with insulation

Compliance**Listings:**

UL Listed, UL Classified

Environment:

Suitable for use in dry, damp, and wet environments.

Air Tight:

Housing certified Air Tight as per ASTM-E283

Energy Star Approved:

This product is ENERGY STAR® Version 2.2 Certified.

DLC Listed:

No.

There is no product category on the Design Lights Consortium (DLC) Qualified Products List for this lamp to qualify under.

Certification Model Number:

DLC1001(CRLEDFA-6R-16S-9CCT-UNV-WS)

T20 Compliant:

Not compliant

California Title 24 JA8 Compliant:

Can be used to conform with the requirements of California Title 24 Part 6

California Energy Commission (CEC) Status:

Lawful for Sales in California

NEC Compliant:

Suitable for use in closets. Compliant with NEC Sec. 410.16 (A)(1) and 410.16 (C3).

IESNA LM-79 & LM-80 Testing:

RAB LED luminaires and LED components have been tested by an independent laboratory in accordance with IESNA lm-79 and lm-80.

RoHS:

Mercury and UV free. RoHS-compliant components.

FCC:

Complies with Part 15 of the FCC Rules

Trade Agreements Act Compliant:

This product is a product of Cambodia and a "designated country" end product that complies with the Trade Agreements Act

Energy Star ID:

3624369

Other**Accessories:**

[DLPLATE/C3468R/NB](#)

[DLPLATE/WFR3468/NB](#)

Mounting Plate w/nailer bar

[DL6-8GOOF/R/P/CRLEDFA](#)

Commercial Downlight 6"-8" Goof Ring

[DLTRIM/CRLEDFA6R-BNS](#)

6" Smooth Brushed Nickel Color Trim

[DLTRIM/CRLEDFA6R-BRS](#)

6" Smooth Bronze Color Trim

[DLTRIM/CRLEDFA6R-BS](#)

6" Smooth Black Color Trim

[DRI-25-EMGR-DC](#)

Emergency Back up Driver

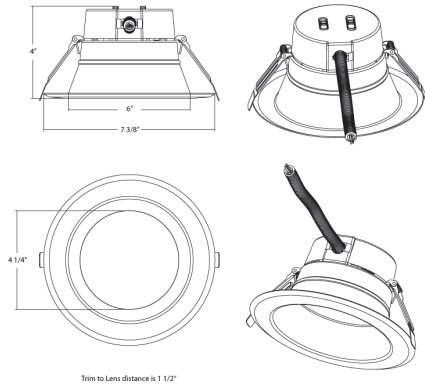
[DRI-21-EMGR-DC-D10](#)

Emergency backup driver

5-Year, No-Compromise Warranty:

RAB warrants that our LED products will be free from defects in materials and workmanship for a period of five (5) years from the date of delivery to the end user, including coverage of light output, color stability, driver performance and fixture finish. RAB's warranty is subject to all terms and conditions found at rablighting.com/warranty.

Dimensions



Features

- Mounts directly into ceiling, no housing required
- Field-adjustable "set and forget" color temperature
- High-performance LEDs for commercial applications
- Meets air-tight requirements
- 0-10V dimming, see Dimmer Compatibility List
- Suitable for wet and damp locations
- Replacement for traditional compact fluorescent recessed downlights

Ordering Matrix

Family	Size	Shape	Wattage	CRI/Color Temp	Driver	Finish	Trim	Battery Backup
CRLEDFA	6	R	16S	9CCT	UNV	W	S	
	6 = 6" 8 = 8" 10 = 10" 4 = 4"	R = Round	24S = 24/19/15W Adjustable 43S = 43/37/32W Adjustable 33S = 33/29/25W Adjustable 22S = 22/16/11W Adjustable 16S = 16/12/9W Adjustable 12S = 12/9/7W Adjustable	9CCT = 90 CRI, 3000/3500/4000/5000K CCT Adjustable	UNV = 120-277V, 0-10V Dimming	W = White	S = Smooth	Blank = No Battery Backup /E = Battery Backup